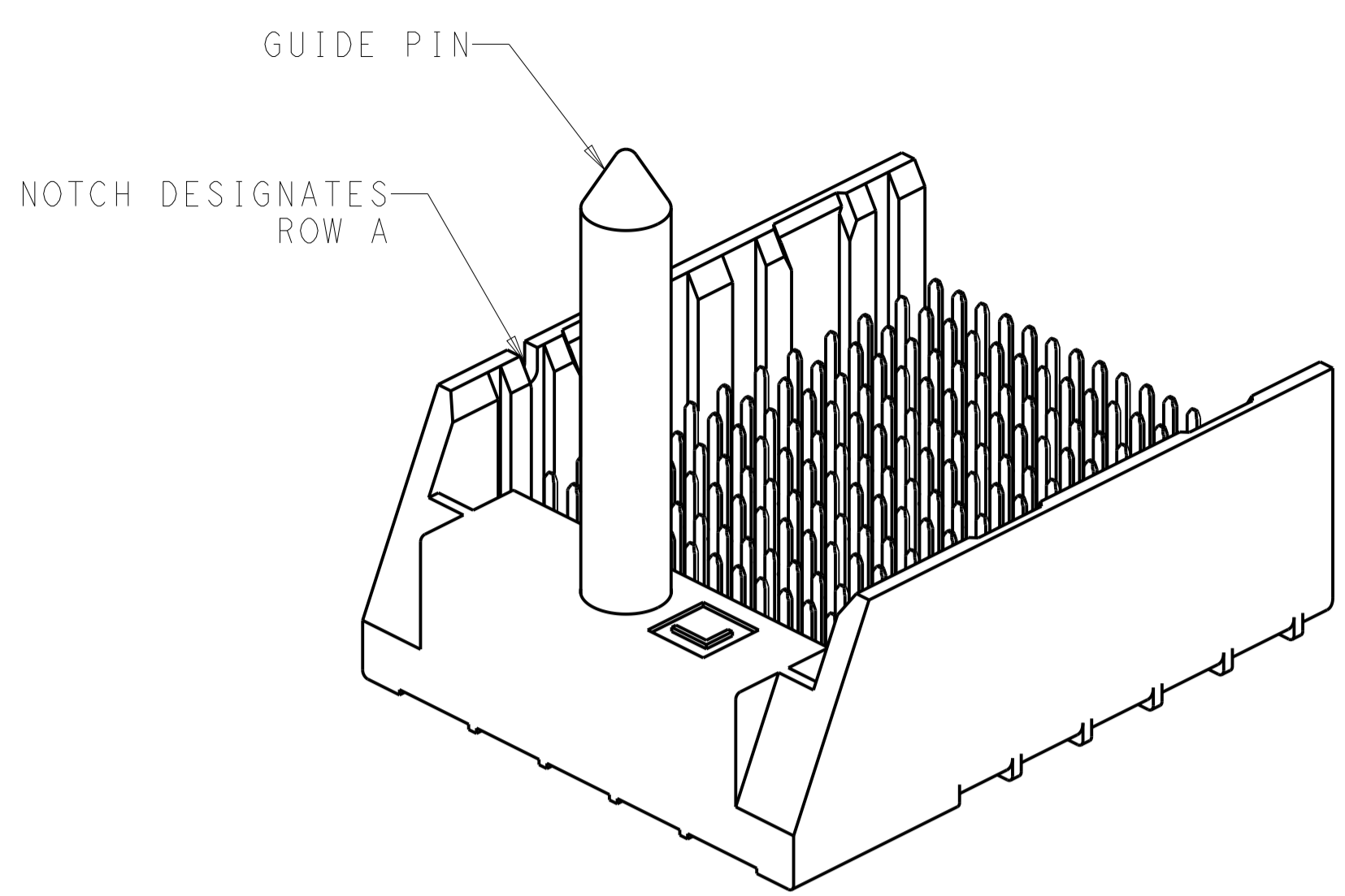


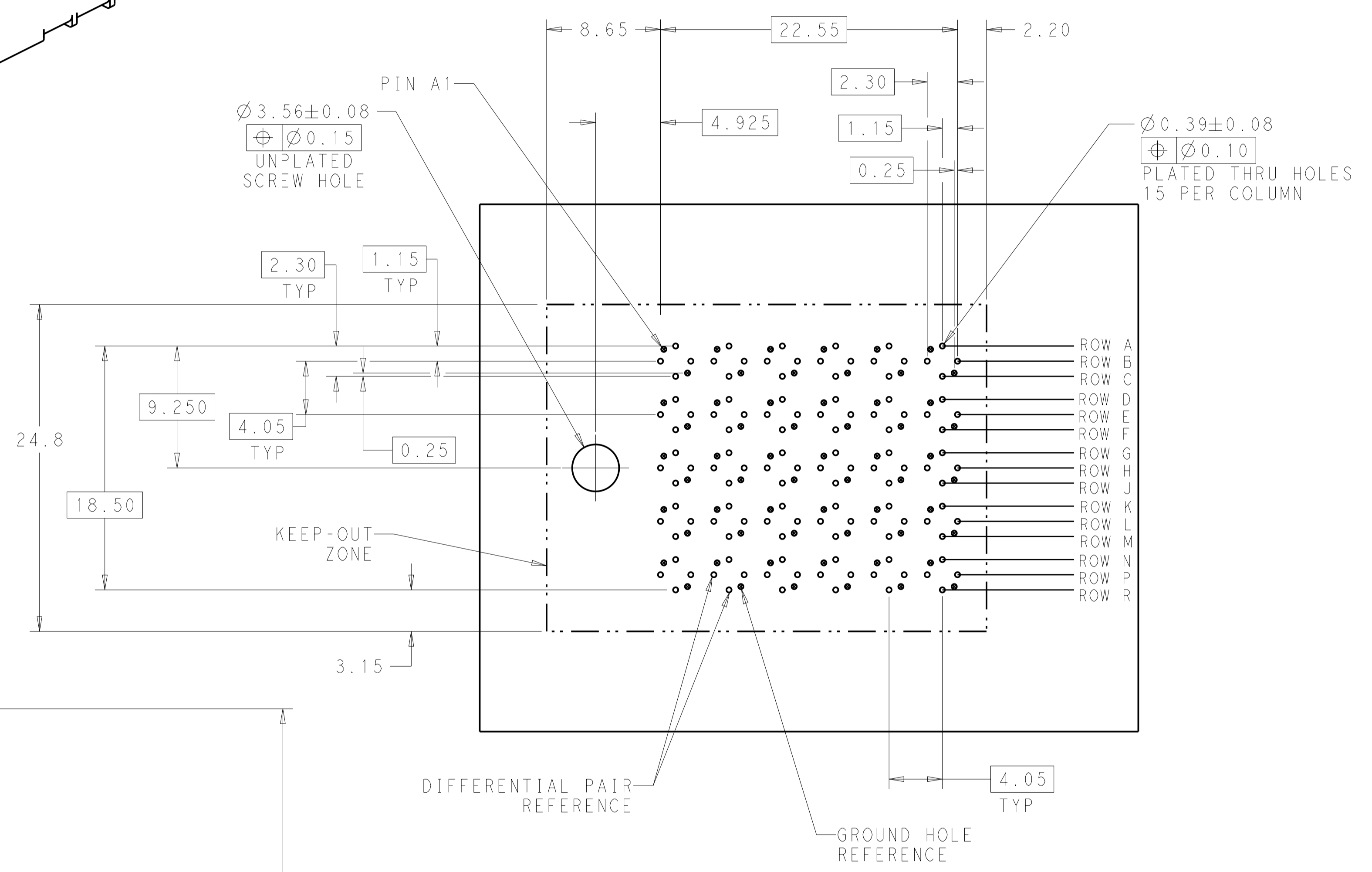
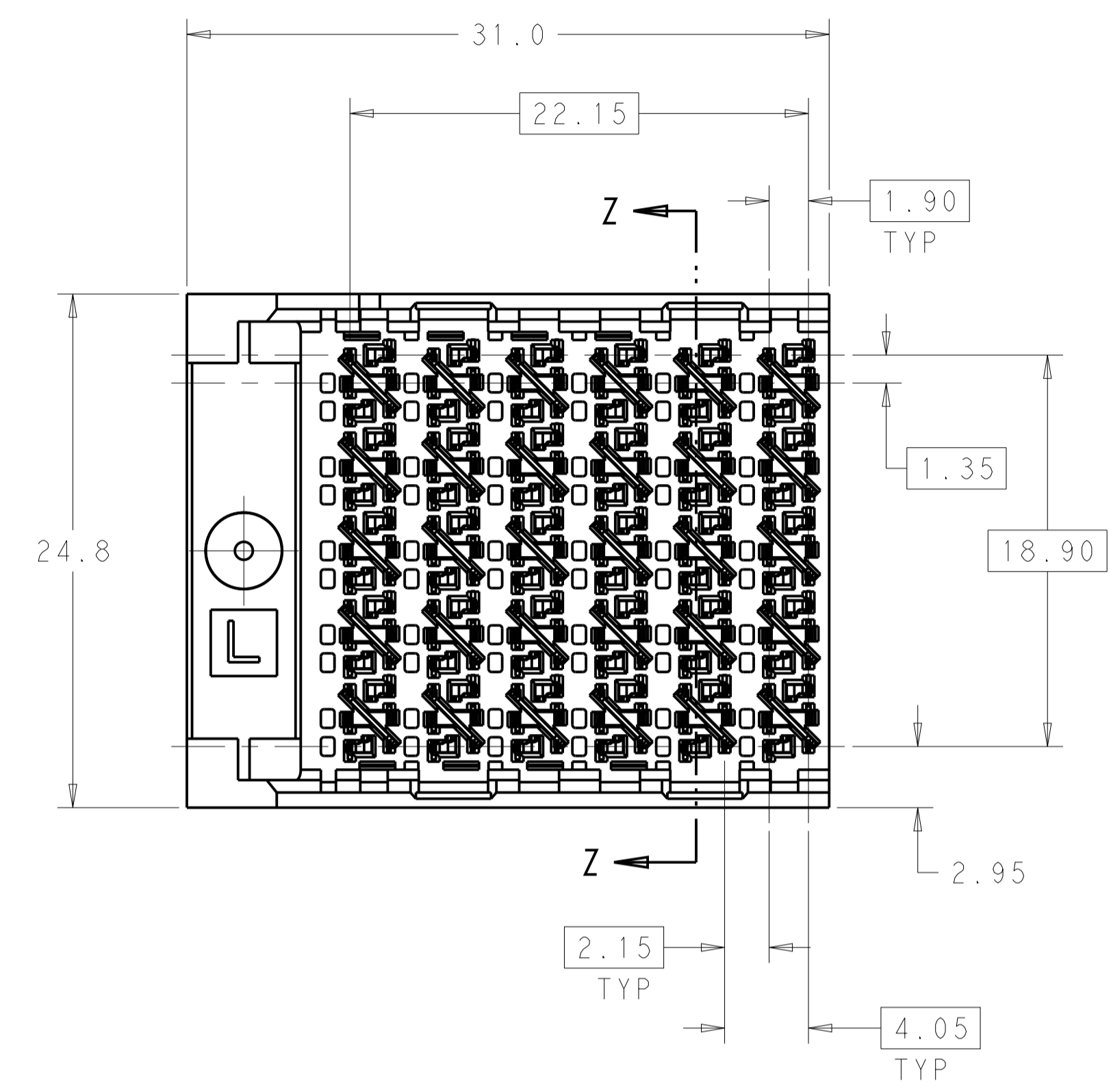
REVISIONS					
P.	LTN	DESCRIPTION	DATE	DMN	APVD
B		REVISED PER ECO-14-013272	09SEP2014	AP	DD



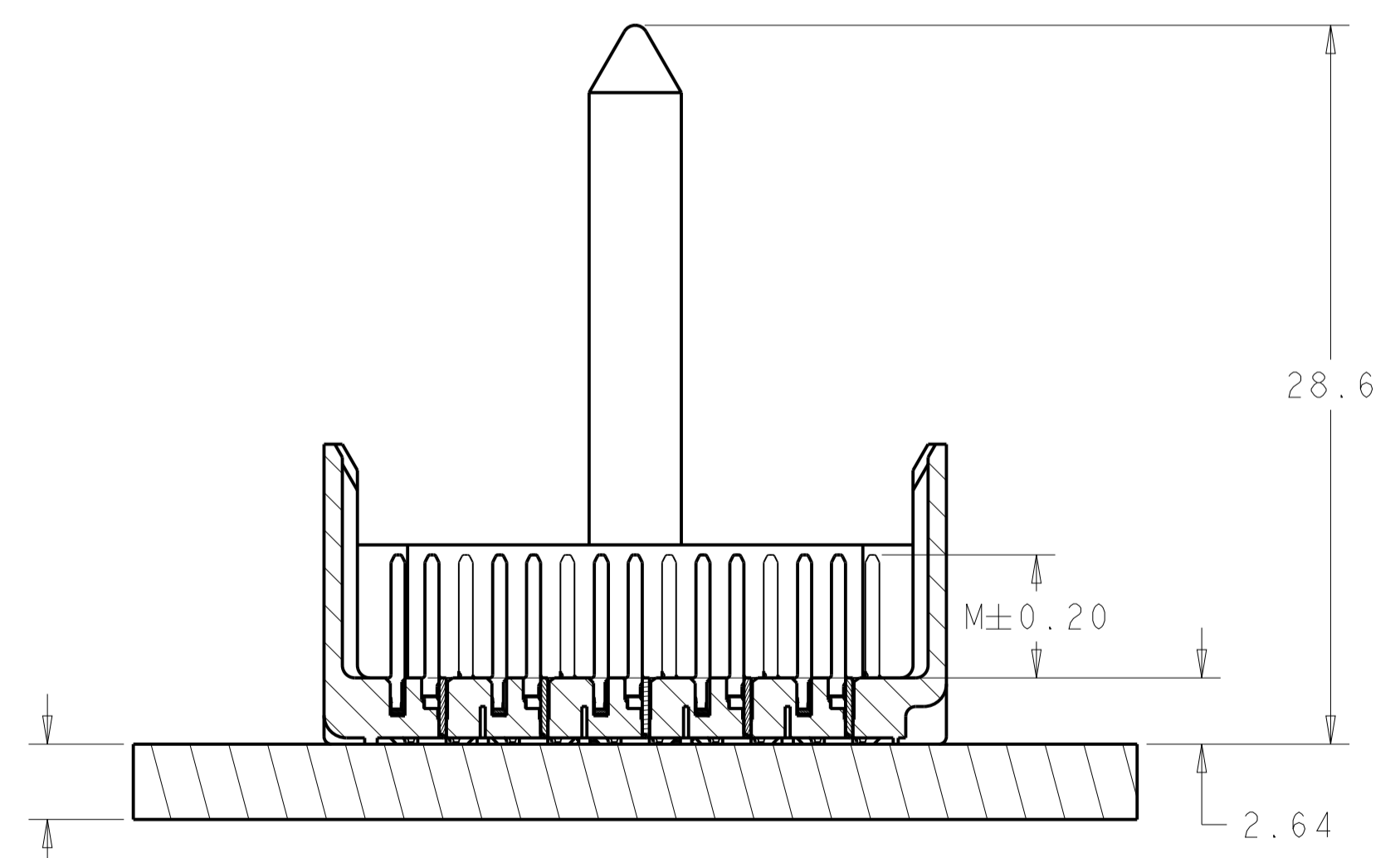
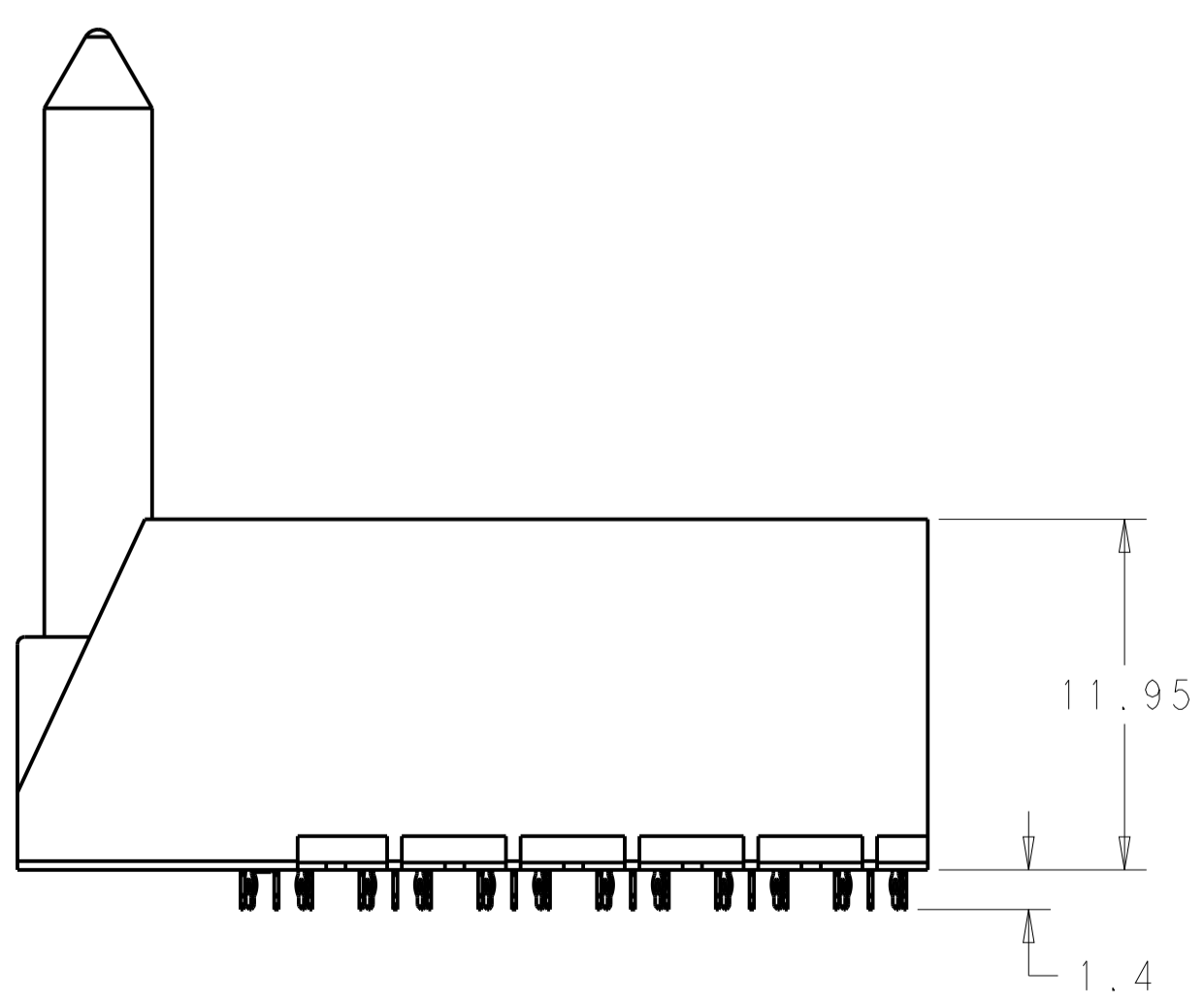
△ MATERIAL:
HOUSING: LCP GLASS FILLED UL94V-0
TERMINALS: HIGH PERFORMANCE COPPER ALLOY

△ FINISH:
30μ" MIN GOLD IN CONTACT AREA
SELECTIVE TIN ON PCB TAILS.
NICKEL OVERALL.

3. SCREWS PACKAGED IN THE END OF PACKAGING TUBE.



LEFT GUIDED
BACKPLANE HOLE PATTERN
(CONNECTOR SIDE)
SCALE 4:1



3.00 MIN
BOARD THICKNESS

△	5.5	2143569-2
△	4.9	2143569-1
FINISH	DIM M	PART NUMBER

THIS DRAWING IS A CONTROLLED DOCUMENT.		DMN J. K. SHOBER 18AUG2010	TE Connectivity
DIMENSIONS:		CHK J. EARY 18AUG2010	
mm	TOLERANCES UNLESS OTHERWISE SPECIFIED:	APVD J. EARY 18AUG2010	NAME IMPACT, 5 PAIR, 12 COLUMN, LEFT GUIDED RIGHT END WALL ASSEMBLY, ORTHOGONAL, 0.39 PTH
0 PLC ± 1 PLC ±0.25 3 PLC ±0.13 4 PLC ± ANGLES ±°	FINISH ±0	PRODUCT SPEC APPLICATION SPEC	SIZE CAGE CODE DRAWING NO A100779C=2143569
MATERIAL	SEE TABLE	WEIGHT	RESTRICTED TO
CUSTOMER DRAWING		SCALE 4:1	SHEET 1 OF 1 REV B