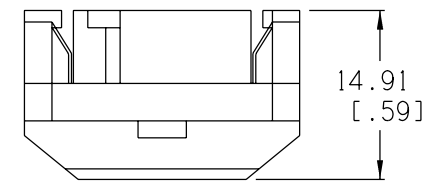
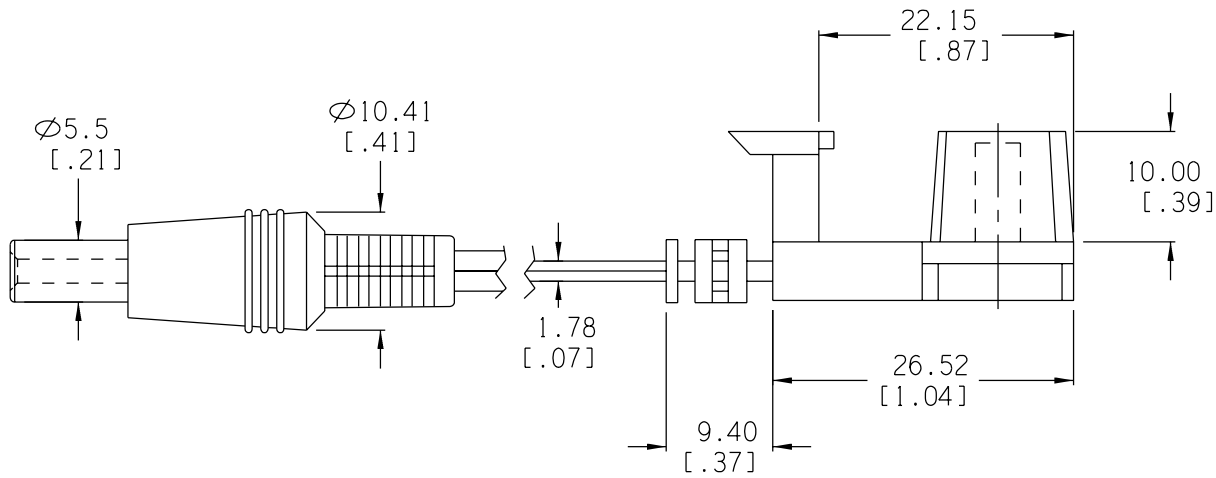



Date	SYM	REVISION RECORD	AUTH	DR.	CK.
12/02/05	A	ADDED "ROHS COMPLIANT"	T.B.	B.S.	



HOUSING: BLACK PLASTIC
 CORD: UL2468, 300V, 80°C, 22-24AWG
 PASSES UL FLAME TEST VW-1
 FILE NO. E11278 OR EQUAL
 CENTER IS POSITIVE CONTACT
 DC MOLDED PLUG: 2.1mm X 5.5mm
 FOR 2.5mm X 5.5mm USE P/N ZA5350-2.5
 ROHS COMPLIANT

Tolerance (Inches)	 Memory Protection Devices, Inc. 200 Broad Hollow Road, Farmingdale, New York 11735		
Decimal ±.5 (.020)	Scale	Drawn By B.S. Approved By T.B.	
Fractional ± .8 (.030)	Title LEAD ACID BATTERY CLIP TO DC MOLDED PLUG		
Angular ± 3°	Date 12/02/05	Drawing Number ZA5350	