

THE INFORMATION CONTAINED HEREIN IS CONSIDERED "PROPRIETARY" TO BEL FUSE INC. AND SHALL NOT BE COPIED, REPRODUCED OR DISCLOSED WITHOUT THE WRITTEN APPROVAL OF BEL FUSE INC.

RoHS



ELECTRICAL CHARACTERISTICS @ 25°C

URNS RATIO

TP1	1CT : 1CT ±2%
TP2	1CT : 1CT ±2%
TP3	1CT : 1CT ±2%
TP4	1CT : 1CT ±2%

OCL @ 100kHz/100mVRMS

8mA DC BIAS 350µH MIN.

INS. LOSS

0.1MHz TO 1MHz	-1.1 dB MAX
1MHz TO 65MHz	-0.5 dB MAX
65MHz TO 100MHz	-0.8 dB MAX
100MHz TO 125MHz	-1.2 dB MAX

RET. LOSS (MIN)

0.5MHz-40MHz	-18 dB
40MHz-100MHz	-12+20LOG(f/80MHz) dB

CROSS TALK

100kHz - 100MHz -33+20LOG(f/100MHz)dB MIN

CM TO CM REJ

100kHz - 100MHz -30 dB MIN

CM TO DM REJ

100kHz - 100MHz -35 dB MIN

HIPOT (Isolation Voltage): 1500 Vrms

100% OF PRODUCTION TESTED TO COMPLY WITH IEEE 802.3 ISOLATION REQUIREMENT

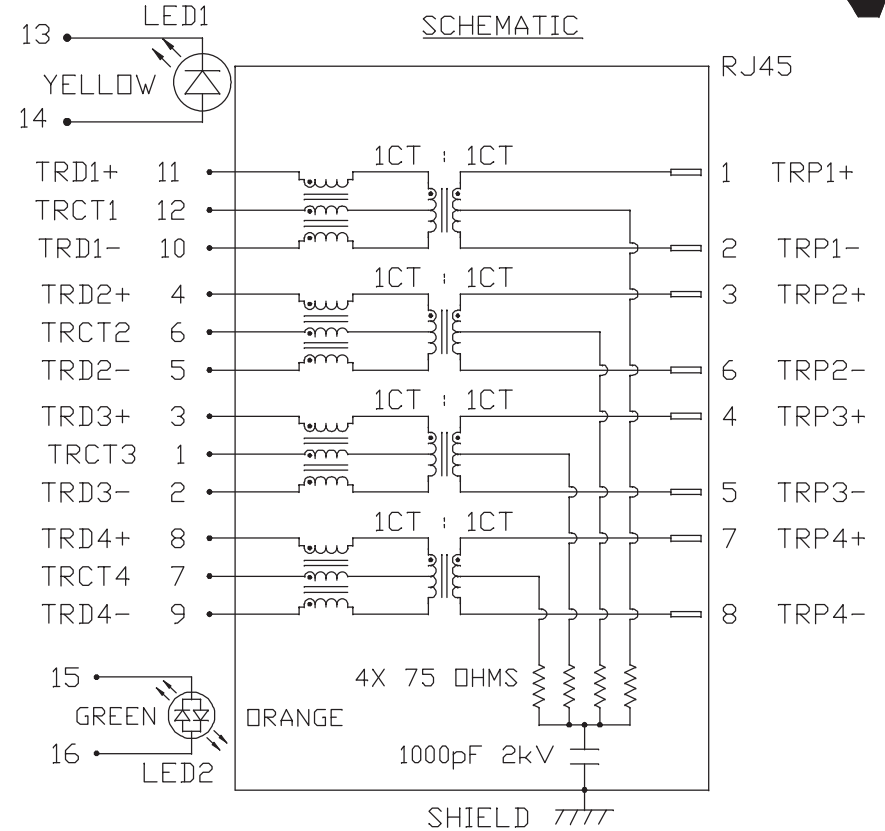
LED 1

VF (FORWARD VOLTAGE) IF=20mA YELLOW 2.1V TYP.
 λD (DOMINANT WAVELENGTH)IF=20mA YELLOW 590nm TYP.

LED 2

VF (FORWARD VOLTAGE) IF=20mA GREEN 2.2V TYP.
 ORANGE 2.0V TYP.
 λD (DOMINANT WAVELENGTH)IF=20mA GREEN 570nm TYP.
 ORANGE 605nm TYP.

LED1 POLARITY			LED2 POLARITY		
PIN 13	PIN 14	COLOR	PIN 15	PIN 16	COLOR
-	+	YELLOW	+	-	ORANGE
			-	+	GREEN



USB ELECTRICAL:

INSULATION RESISTANCE:	1000 MEGAΩ (MIN)
CONTACT RESISTANCE:	25 MILLIΩ (MAX)
DIELECTRIC WITHSTANDING:	750 VAC

ORIGINATED BY
 CHOW WANCHUNG
 DATE 2015-10-13

TITLE
 glgabit MagJack® Combo
 (single USB, 8 cores)

PART NO. / DRAWING NO.
 08211X1T43-F

STANDARD DIM. [] METRIC DIM.
 TOL. IN INCH AS REF.

DRAWN BY
 MURPHY LEE
 DATE 2015-10-13

0821-1X1T-43-F
 PATENTED

FILE NAME
 08211X1T43-F_D.DWG

.X UNIT : INCH [mm]
 .XX SCALE : N/A
 .XXX SIZE : A4

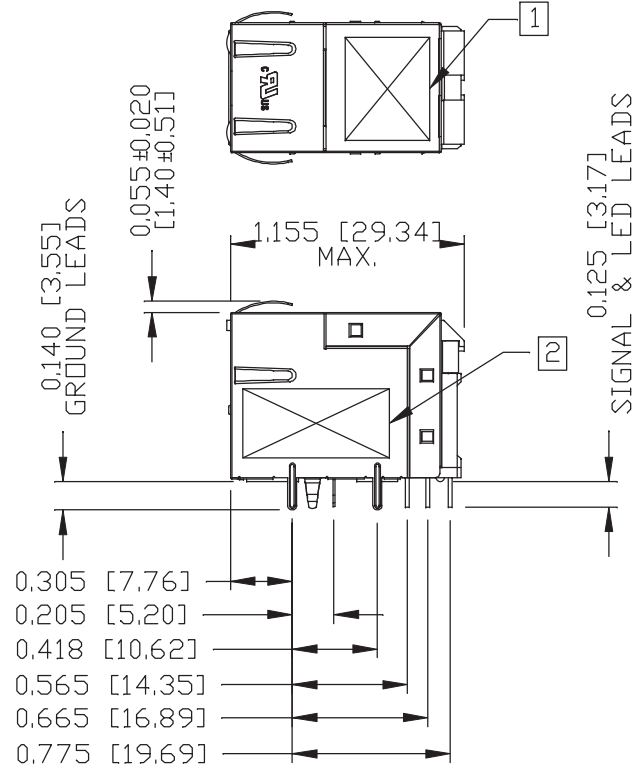
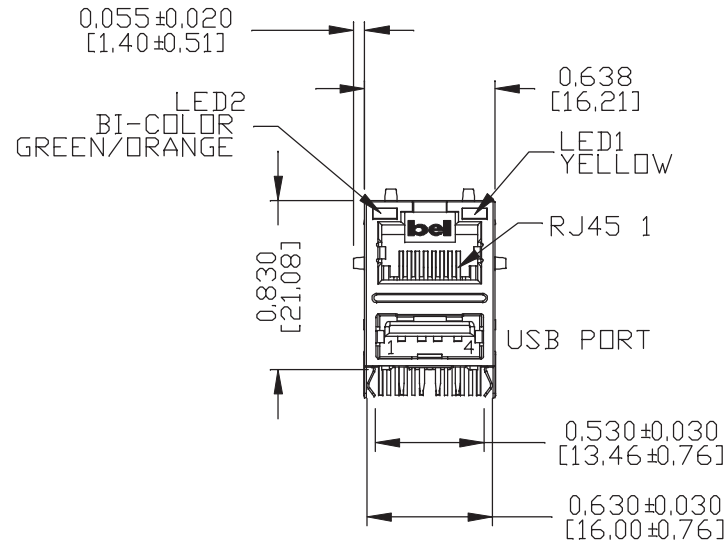
REV. : D PAGE : 2



THE INFORMATION CONTAINED HEREIN IS CONSIDERED "PROPRIETARY" TO BEL FUSE INC. AND SHALL NOT BE COPIED, REPRODUCED OR DISCLOSED WITHOUT THE WRITTEN APPROVAL OF BEL FUSE INC.



MECHANICAL SPECIFICATION



RJ45 MECHANICAL:

PLASTIC HOUSING: THERMOPLASTIC PBT
 FLAMMABILITY RATING UL 94V-0
 CONTACT PLATING: 30 MICRO-INCH HARD GOLD PLATING OR EQUIVALENT.
 PINS: TIN-COATED COPPER WIRE, DIA 0.018 INCH.
 METAL SHIELD: NICKEL PLATED ON COPPER ALLOY.
 (ALL GROUND LEADS ARE SOLDER DIPPED)

UL RECOGNIZED - FILE #E196366 AND E169987.

- [1] MARK PART WITH MFG. LOGO, MFG. NAME, PART NUMBER AND DATE CODE.
- [2] MARKING "PATENTED".

USB MECHANICAL:

MATING FORCE: 35 NEWTONS MAXIMUM
 UNMATING FORCE: 10 NEWTONS MINIMUM
 CONTACT: PROSPHER BRONZE
 30 MICRO-INCH MIN GOLD PLATING ON CONTACT AREA AND LEAD-FREE TIN ON SOLDER LEADS.

- 3. THE PRODUCT IS RoHS COMPLIANT.
- 4. THE PRODUCT IS PATENTED. THE PATENT NUMBER IS U.S. PAT. 7,123,117.

ORIGINATED BY
ANTON LIAO
DATE 2015-10-13
DRAWN BY
JESSE LI
DATE 2015-10-13

TITLE
gigabit MagJack® Combo
(single USB, 8 cores)
0821-1X1T-43-F
PATENTED

PART NO. / DRAWING NO.
08211X1T43-F
FILE NAME
08211X1T43-F_D.DWG

STANDARD DIM. TOL. IN INCH	[] METRIC DIM. AS REF.
.X	UNIT : INCH [mm]
.XX	SCALE : N/A
.XXX ±0,010	SIZE : A4

REV. : D PAGE : 3

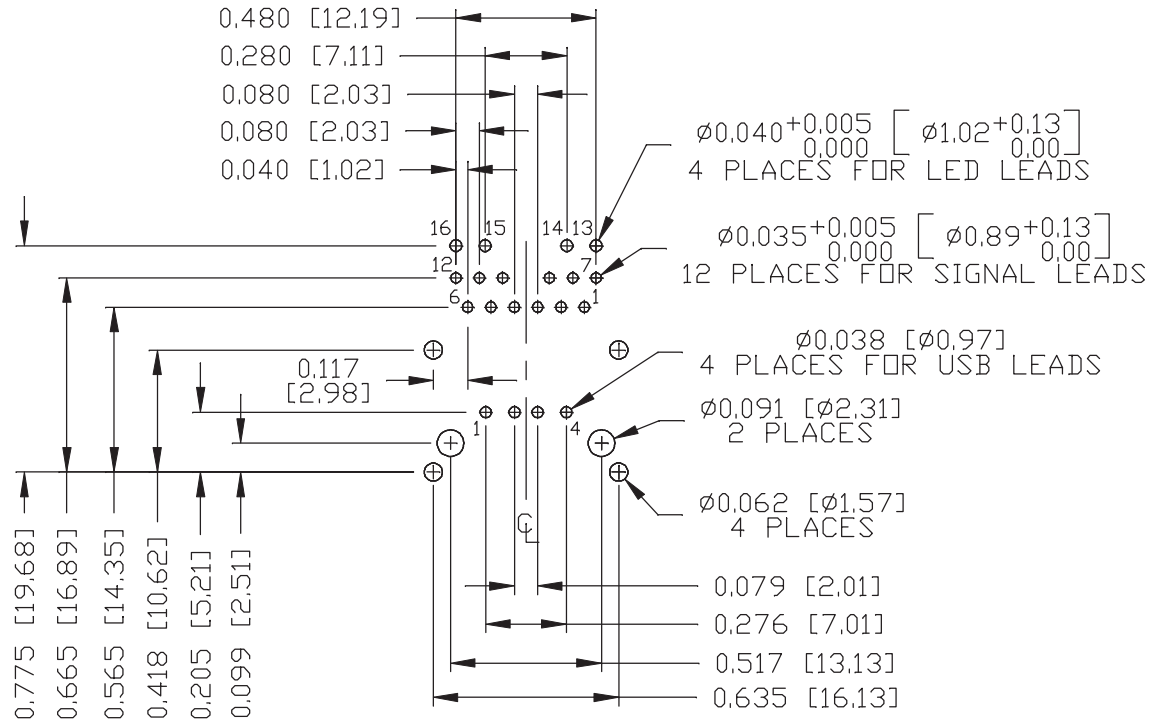


THE INFORMATION CONTAINED HEREIN IS CONSIDERED "PROPRIETARY" TO BEL FUSE INC. AND SHALL NOT BE COPIED, REPRODUCED OR DISCLOSED WITHOUT THE WRITTEN APPROVAL OF BEL FUSE INC.

RoHS



RECOMMENDED PCB FOOTPRINT
COMPONENT SIDE VIEW



REV. : D PAGE : 4

ORIGINATED BY
ANTON LIAO
DATE 2015-10-13
DRAWN BY
JESSE LI
DATE 2015-10-13

TITLE
gigabit MagJack® Combo
(single USB, 8 cores)
0821-1X1T-43-F
PATENTED

PART NO. / DRAWING NO.
08211X1T43-F
FILE NAME
08211X1T43-F_D.DWG

STANDARD DIM. TOL. IN INCH		[] METRIC DIM. AS REF.
.X		UNIT : INCH [mm]
.XX		SCALE : N/A
.XXX	±0.004	SIZE : A4

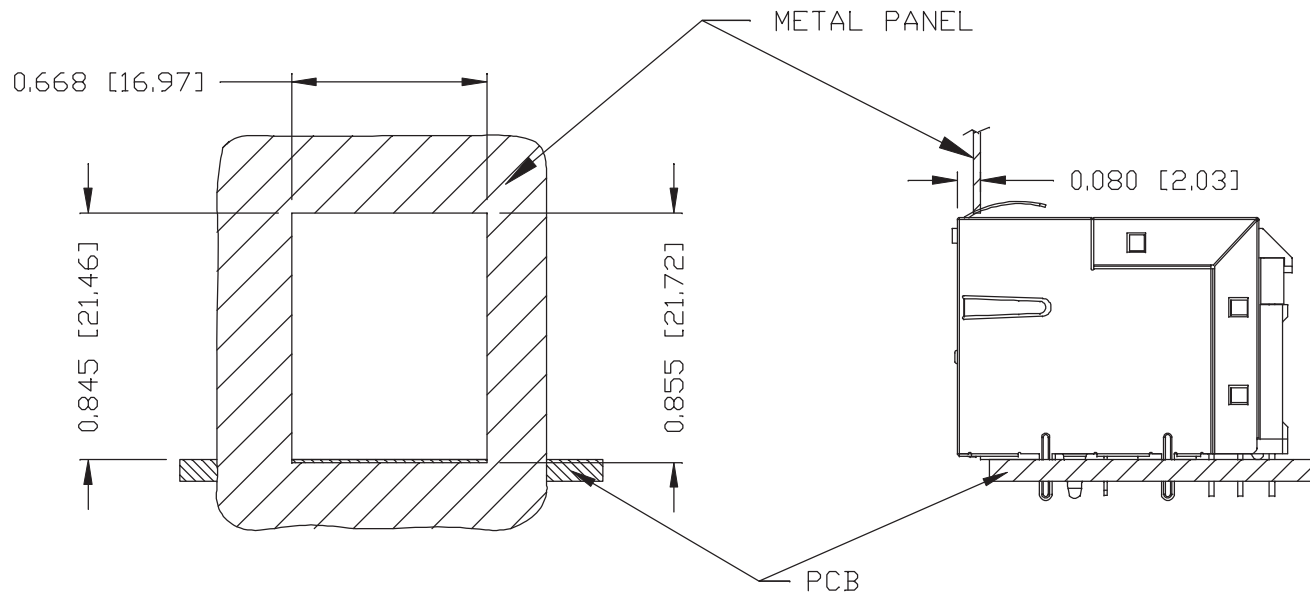


THE INFORMATION CONTAINED HEREIN IS CONSIDERED "PROPRIETARY" TO BEL FUSE INC. AND SHALL NOT BE COPIED, REPRODUCED OR DISCLOSED WITHOUT THE WRITTEN APPROVAL OF BEL FUSE INC.

RoHS



SUGGESTED PANEL OPENING



NOTES:

THE DISTANCE OF PANEL INSIDE SURFACE RELATIVE TO FRONT SURFACE OF PART IS ONLY A SUGGESTION. IN CASE THIS DISTANCE IS DIFFERENT, THE REQUIRED PANEL OPENING DIMENSIONS CHANGE ACCORDINGLY.

PACKING INFORMATION

PACKING TRAY : 0200-0148-48 (TOP)
0200-0148-49 (BOTTOM)

PACKING QUANTITY : 60 PCS FINISHED GOODS PER TRAY
8 TRAYS (480 PCS FINISHED GOODS) PER CARTON BOX

NOTE : CARDBOARDS ARE PLACED BETWEEN LAYERS OF PACKING TRAY INSIDE CARTON BOX
(INCLUDE THE UPPERMOST AND LOWERMOST TRAY)

REV. :	D	PAGE :	5
--------	---	--------	---

ORIGINATED BY ANTON LIAO
DATE 2015-10-13
DRAWN BY JESSE LI
DATE 2015-10-13

TITLE gigabit MagJack® Combo (single USB, 8 cores)
0821-1X1T-43-F PATENTED

PART NO. / DRAWING NO. 08211X1T43-F
FILE NAME 08211X1T43-F_D.DWG

STANDARD DIM. TOL. IN INCH	[] METRIC DIM. AS REF.
.X	UNIT : INCH [mm]
.XX	SCALE : N/A
.XXX ±0.004	SIZE : A4

