

MODEL:

SRSHELF4PHDTM

Toolless Fixed Shelf for 4-Post Racks



250 lb.
Load Capacity



25.5 in. Depth



Sturdy Steel
Construction

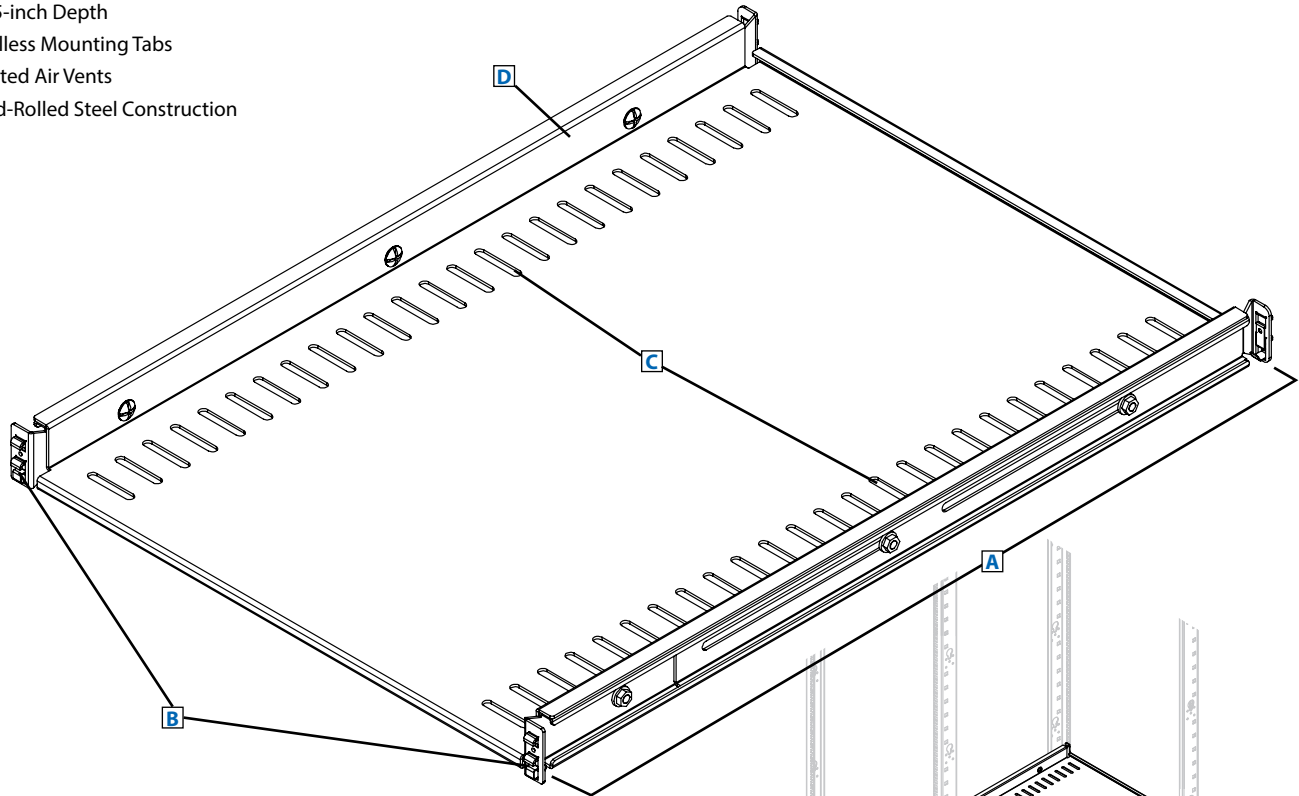


Ventilated for
Ample Airflow



Toolless
Mounting

- A** 25.5-inch Depth
- B** Toolless Mounting Tabs
- C** Slotted Air Vents
- D** Cold-Rolled Steel Construction



SRSHELF4PHDTM is a heavy-duty fixed shelf for use in 4-post racks. It is constructed of cold-rolled steel, is 25.5 inches in depth and supports weights of up to 250 lb. A vented design increases airflow to sensitive equipment. Snap-in mounting requires no tools.

Specifications

Model	SRSHELF4PHDTM
Load Rating	250 lb. (113 kg)
Unit Dimensions (H x W x D)	1.73 x 19 x 26.10 in. (439 x 482 x 662 mm)
Shipping Dimensions (H x W x D)	4 x 20 x 27 in. (101 x 508 x 685 mm)
Unit Weight	16.5 lb. (7.48 kg)
Shipping Weight	18 lb. (8.16 kg)
Standards	Tested to RoHS

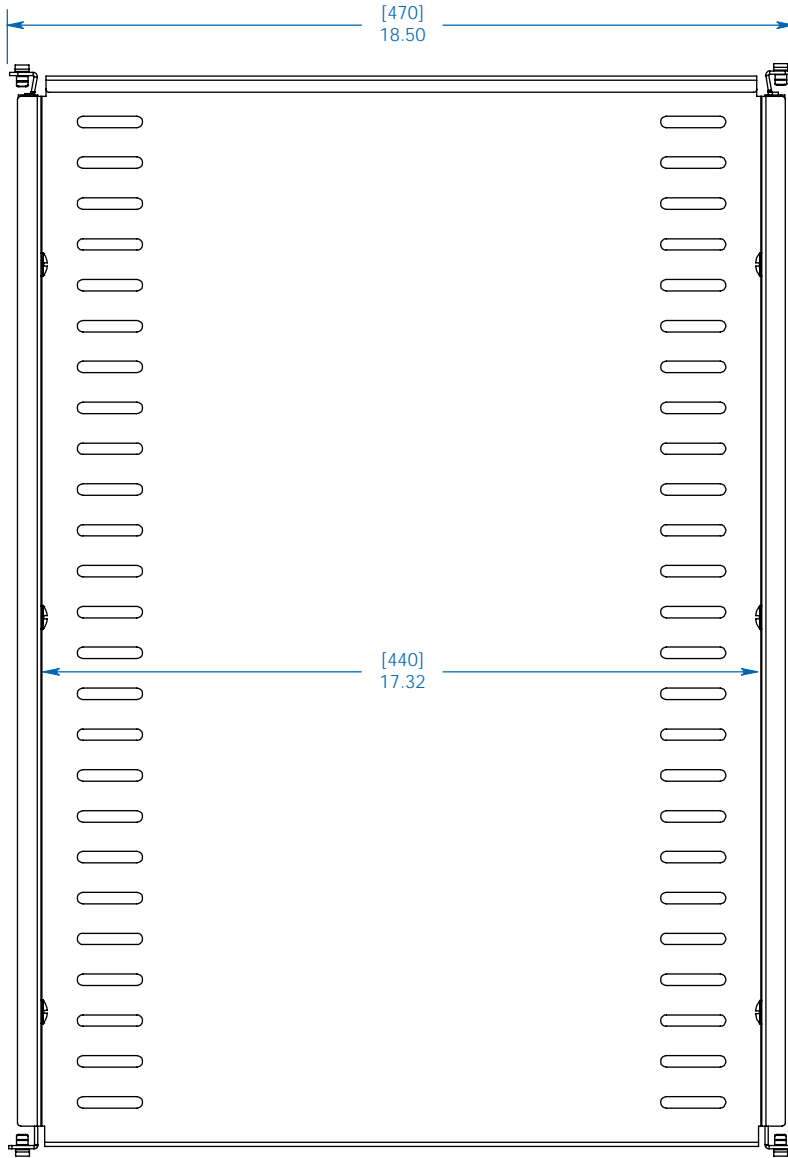
Tripp Lite has a policy of continuous improvement. Specifications are subject to change without notice.



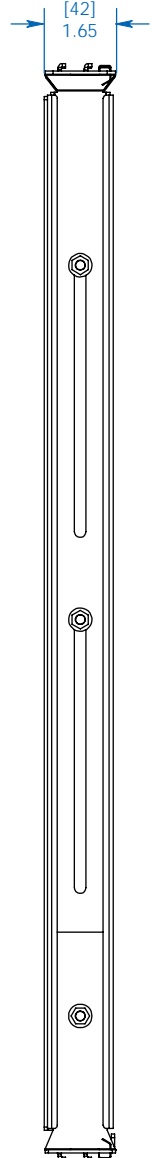
SEE NEXT PAGE FOR DETAILED UNIT MEASUREMENTS



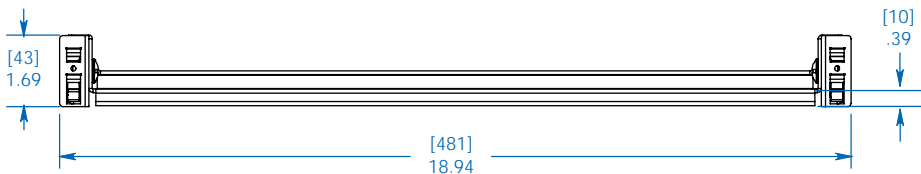
1111 W. 35th Street
Chicago, IL 60609 USA
773.869.1234
www.tripplite.com



TOP VIEW



SIDE VIEW



FRONT VIEW



REAR VIEW

MODEL:
SRSHELF4PHDTM



1111 W. 35th Street
Chicago, IL 60609 USA
773.869.1234

www.tripplite.com

Dimensions: [mm] INCHES

Tripp Lite has a policy of continuous improvement. Specifications are subject to change without notice.