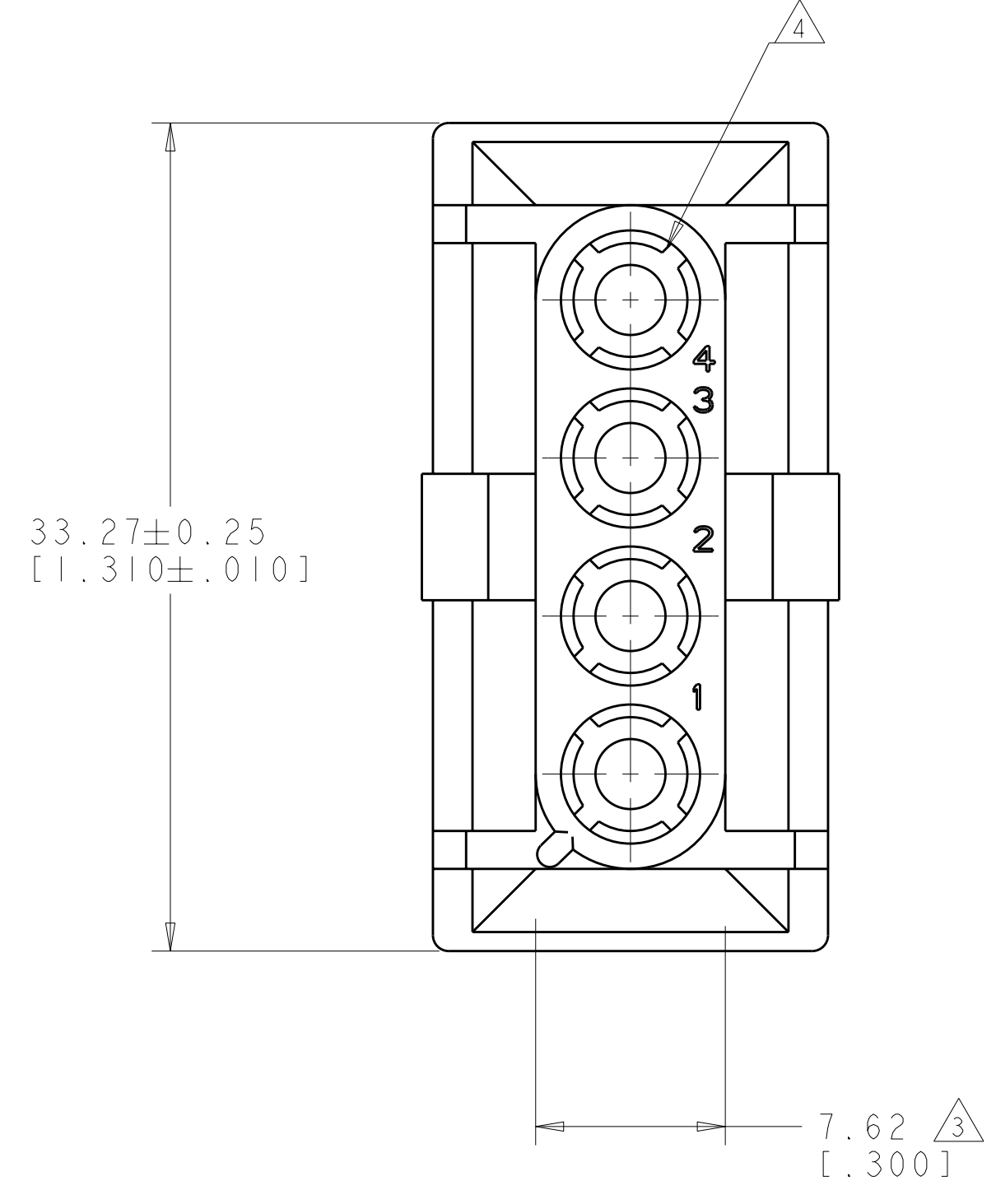
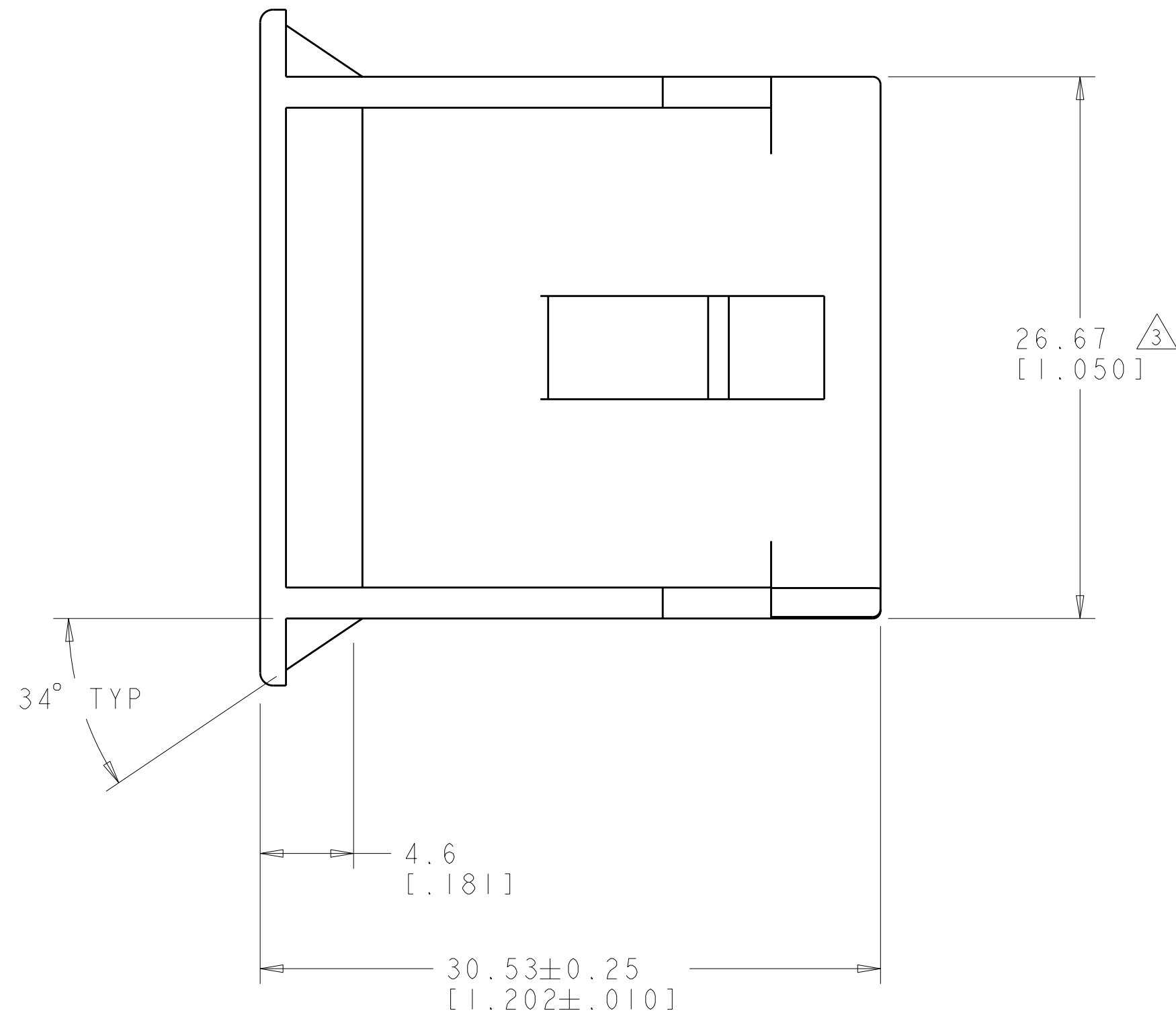
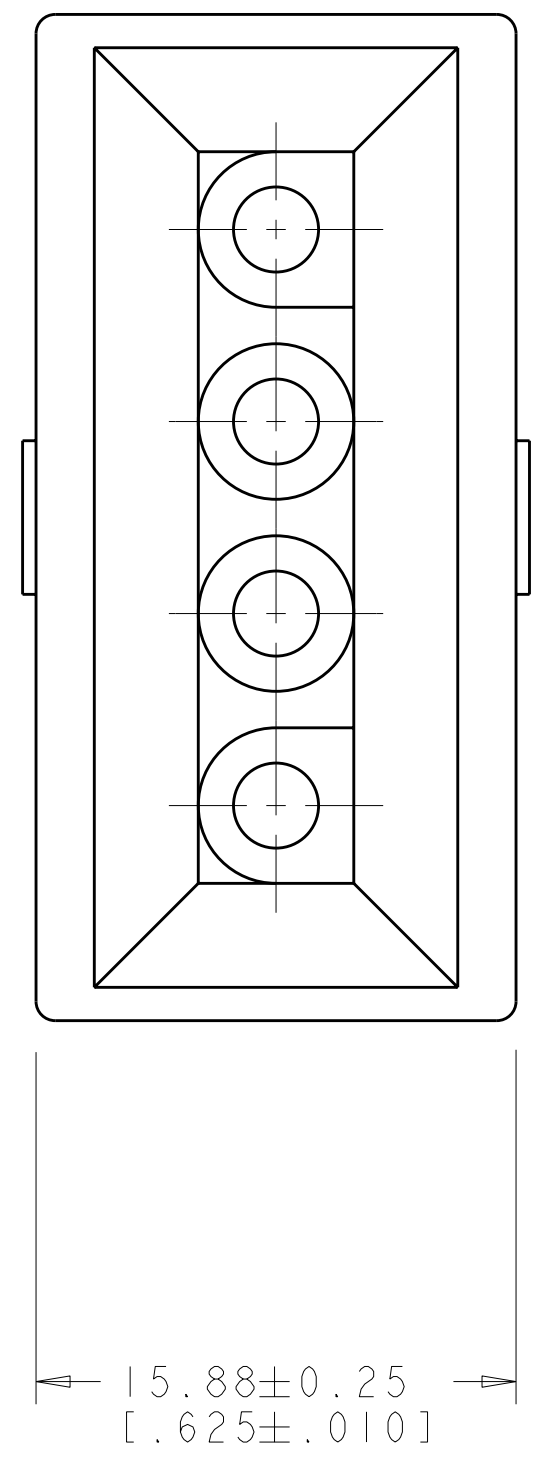
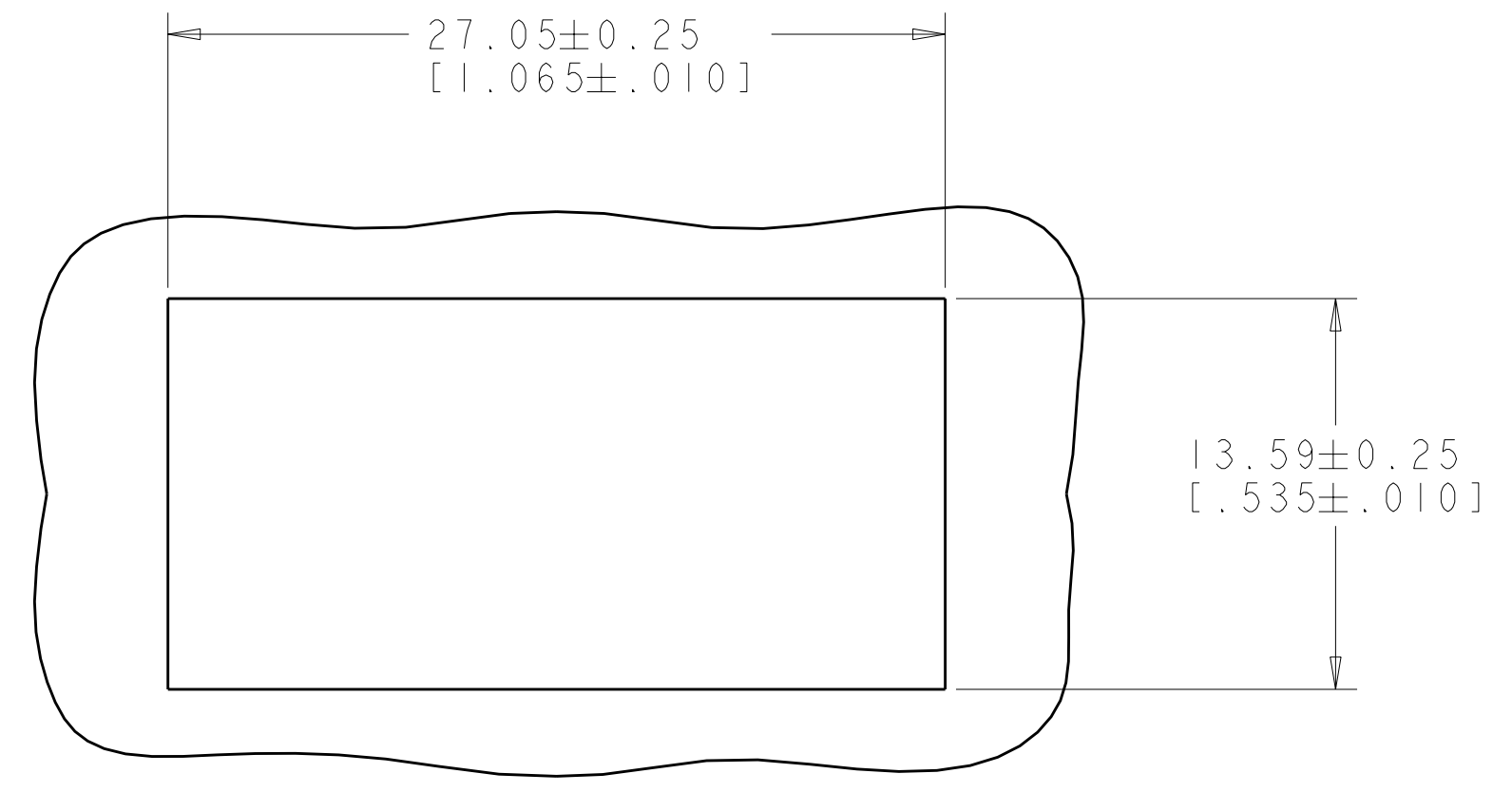
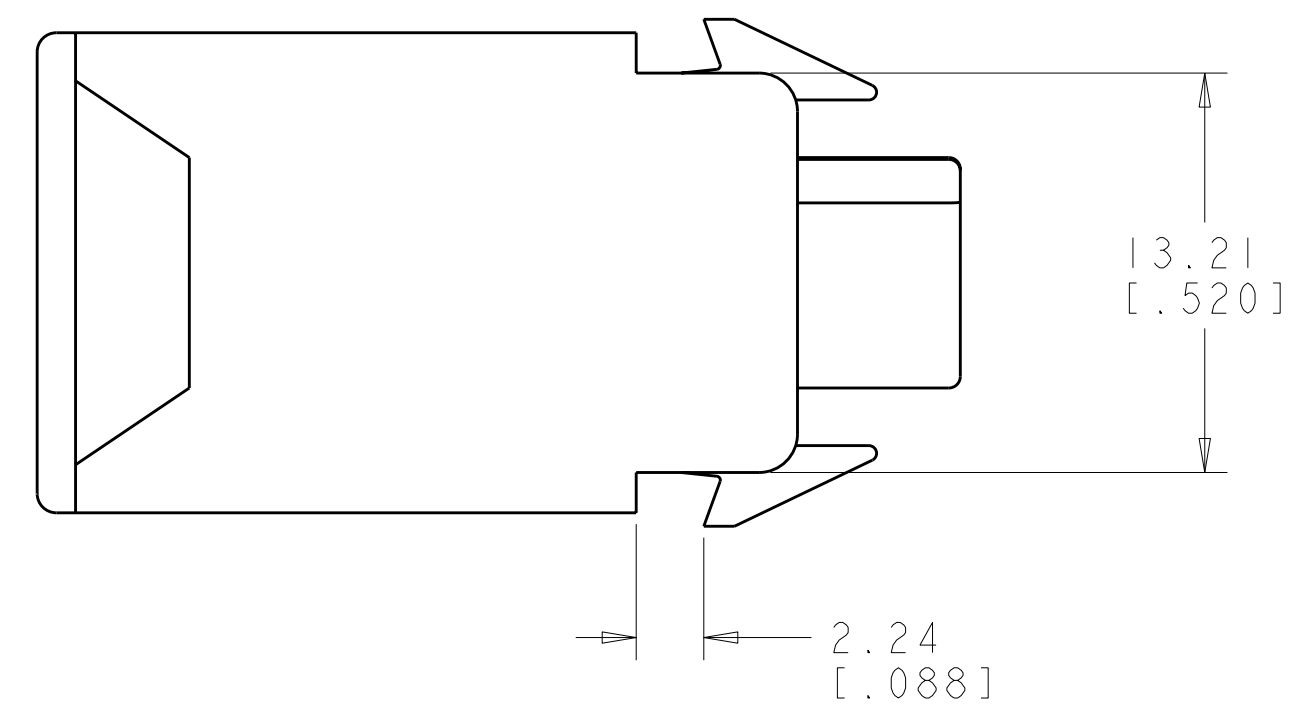
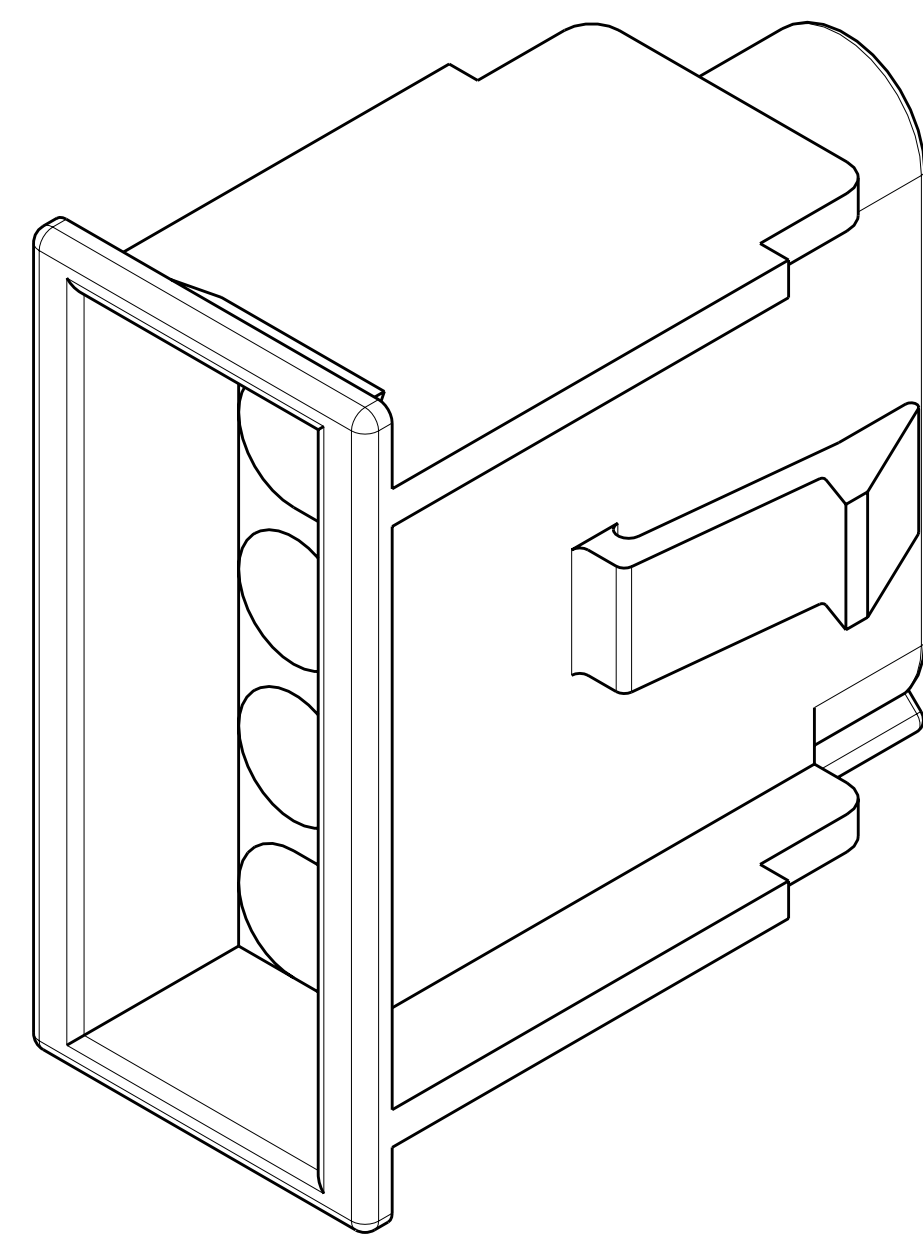


LOC	DIST	REVISIONS			
CM	00	REV	DATE	DWN	APVD
		F	ECO-08-027229	07NOV2008	KW DC



- 1. PANEL THICKNESS 2.5±0.25 [0.098±0.010].
- 2. PANEL MUST BE PUNCHED SO THAT THE HOUSING ENTERS THE PANEL IN THE SAME DIRECTION AS THE PUNCH.
- 3. DIMENSION INDICATED AS MOLDED. ADDITIONAL GROWTH DUE TO SUBSEQUENT MOISTURE ABSORPTION MAY OCCUR.
- 4. RIBS EQUALLY SPACED, NO SPECIFIC ORIENTATION. FOUR RIBS PREFERRED, SIX RIBS OPTIONAL.



RECOMMENDED PANEL CUT OUT

0.267 IN ³	770002-1
VOLUME	PART NUMBER

DIMENSIONS: mm [INCHES] TOLERANCES UNLESS OTHERWISE SPECIFIED: 0 PLC ± 1 PLC ± 2 PLC ±0.13 [0.005] 3 PLC ± 4 PLC ± ANGLES ± FINISH -		DWN: R. WHITAKER 04NOV2008 CHK: D. COLEY 04NOV2008 APVD: D. COLEY 04NOV2008 PRODUCT SPEC APPLICATION SPEC WEIGHT - CUSTOMER DRAWING		Tyco Electronics Harrisburg, PA 17105-3608 NAME: CAP, LEAD-IN RAMP, 4 CIRCUIT, UNIVERSAL MATE-N-LOK(TM) SIZE: A 00779 C=770002 SCALE: 4:1 SHEET 1 OF 1 REV F	
--	--	---	--	--	--

METRIC