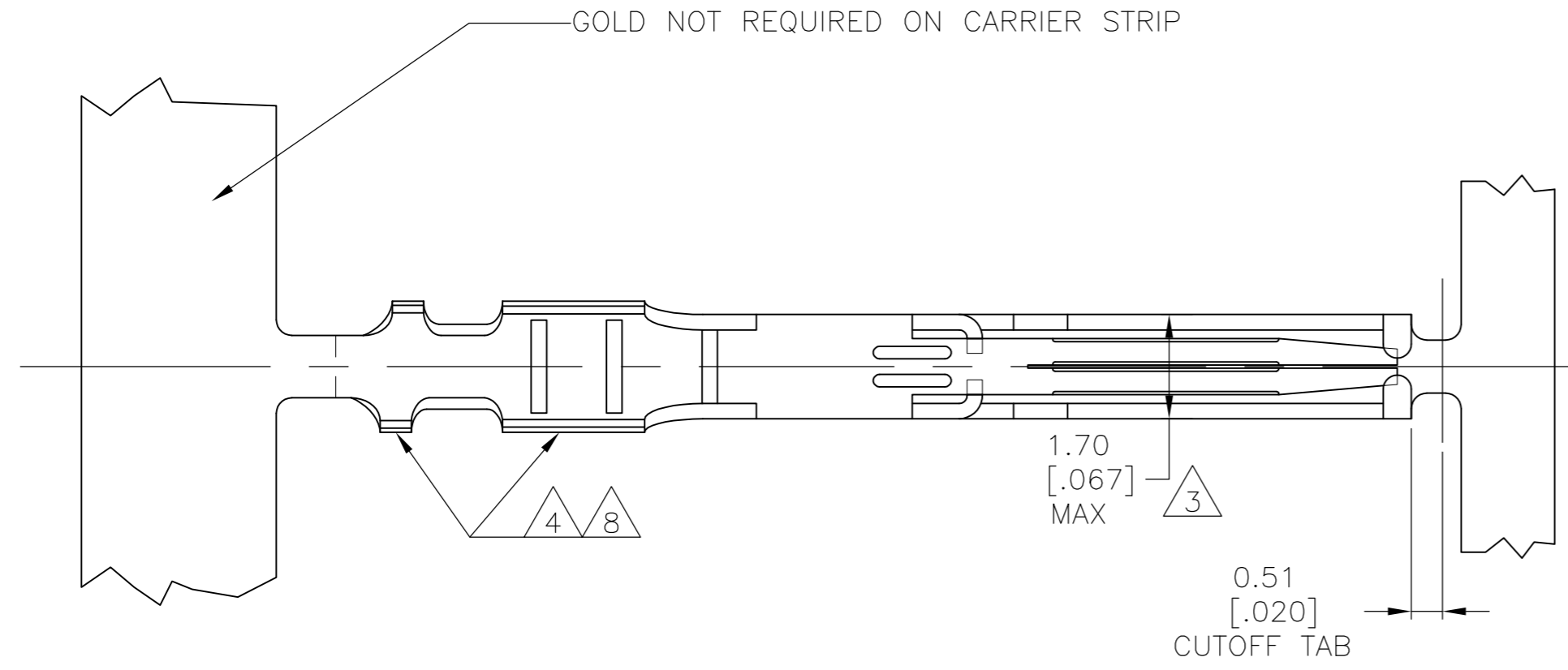
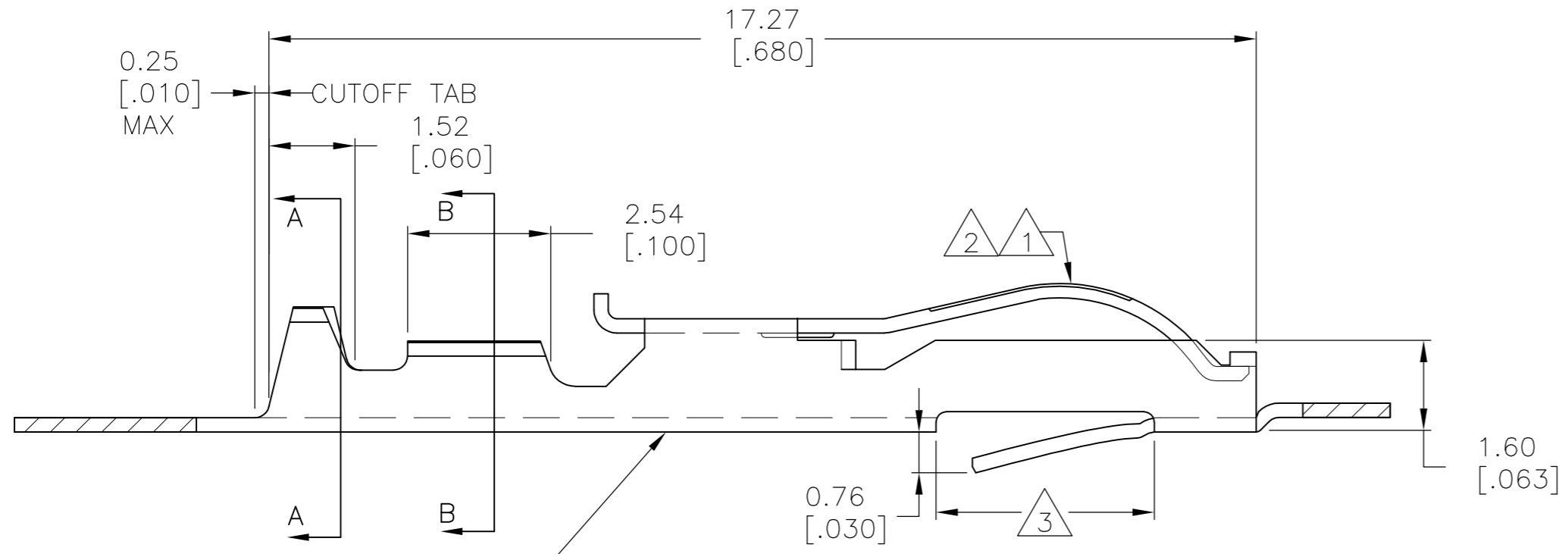


THIS DRAWING IS UNPUBLISHED. RELEASED FOR PUBLICATION  
 © COPYRIGHT - By - ALL RIGHTS RESERVED.

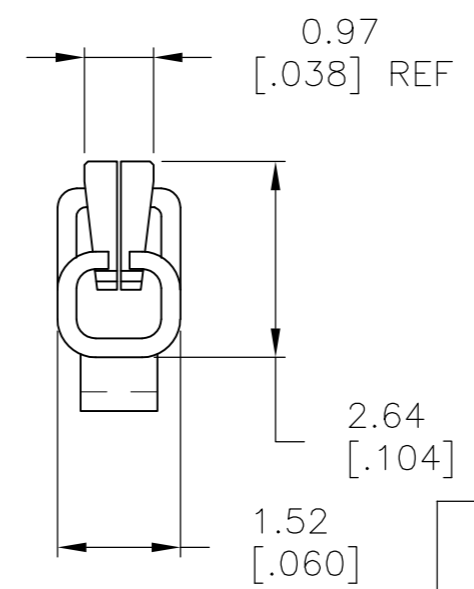
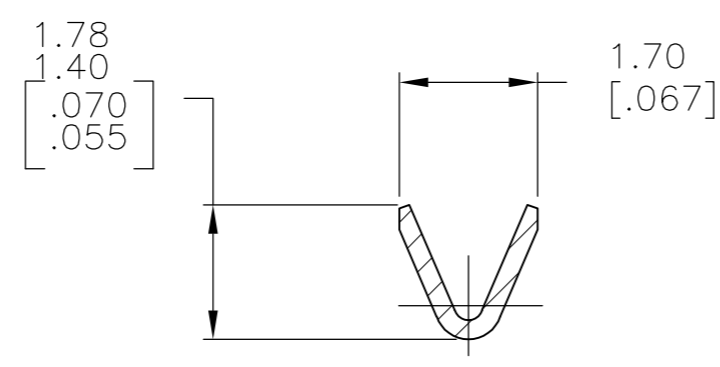
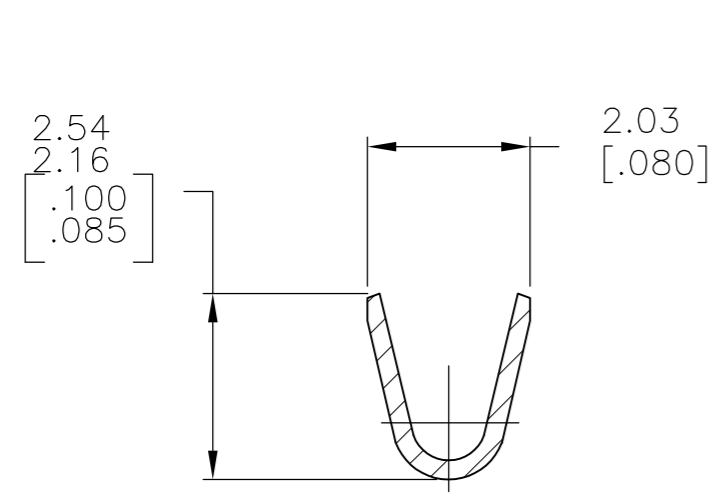
LOC		DIST		REVISIONS			
P	LTR	DESCRIPTION		DATE	DWN	APVD	
AD	00	Z2		REVISED PER ECO-11-004820	11MAR11	RK HMR	



- 1 .000030 GOLD OVER .000030 NICKEL IN CONTACT AREA.
- 2 .000015 GOLD OVER .000030 NICKEL IN CONTACT AREA.
- 3 .067 MAX ALLOWED IN LOCKING POSITION AREA FOR .140 REF LENGTH.
- 4 TIN-LEAD IN CRIMP AREA.
- 5 OBSOLETE
- 6 .000050 GOLD OVER .000050 NICKEL IN CONTACT AREA. REMAINDER OF CONTACT GOLD FLASH OVER NICKEL.
- 7 .000015 GOLD OVER .000030 NICKEL IN CONTACT AREA. REMAINDER OF CONTACT GOLD FLASH OVER NICKEL.
- 8 MATTE TIN IN CRIMP AREA.
- 9 OBSOLETE PARTS: OBSOLETE CIS STREAMLINING PER D.RENAUD/D.SINISI



COLOUR CODED ORANGE FOR WIRE RANGE IDENTIFICATION (LOOSE PIECE ONLY)



9	OBSOLETE	5-583616-2	5-583616-6	1 8	5-583616-4
		1-583616-0	5 1-583616-2	7	1-583616-1
9	OBSOLETE	583616-8	5 1-583616-3	6	583616-9
		583616-3	5 583616-7	2 4	583616-5
9	OBSOLETE	583616-2	583616-6	1 4	583616-4
		STRIP PART NO REELING LEFT TO RIGHT	STRIP PART NO REELING RIGHT TO LEFT	FINISH	LOOSE PIECE

THIS DRAWING IS A CONTROLLED DOCUMENT. DWN 02AUG93 A. STAUB BG  
 CHK H ROSE 18FEB94  
 APVD H ROSE 18FEB94  
 PRODUCT SPEC  
 APPLICATION SPEC  
 WEIGHT -  
 MATERIAL PHOS BRONZE FINISH SEE TABLE  
 CUSTOMER DRAWING

**STE** TE Connectivity  
 CONTACT-TWIN LEAF (CRIMP-SNAP)  
 SIZE A2 CAGE CODE 00779 DRAWING NO C=583616 RESTRICTED TO -  
 SCALE 10:1 SHEET 1 OF 1 REV Z2