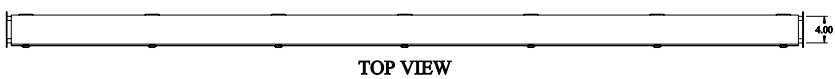
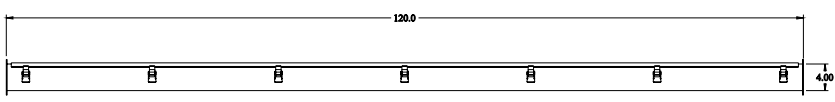


 **PART No. 1485C120**
for more information visit
www.inammfg.com
Data subject to change without notice
Isometric drawing Not to Scale



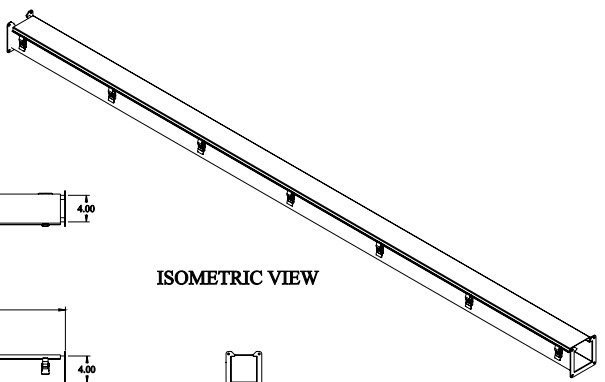
TOP VIEW



FRONT VIEW



BOTTOM VIEW



ISOMETRIC VIEW



SIDE VIEW



SIDE VIEW