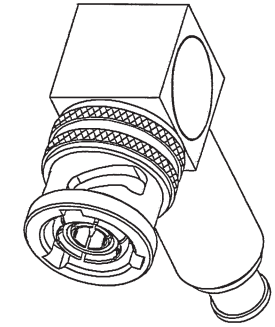
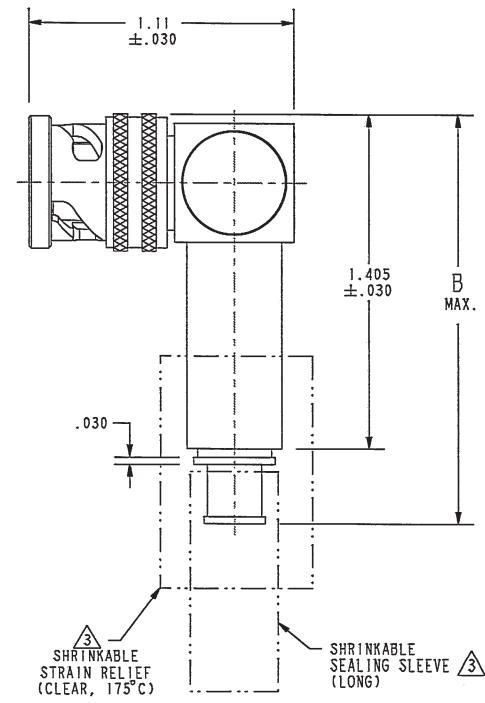
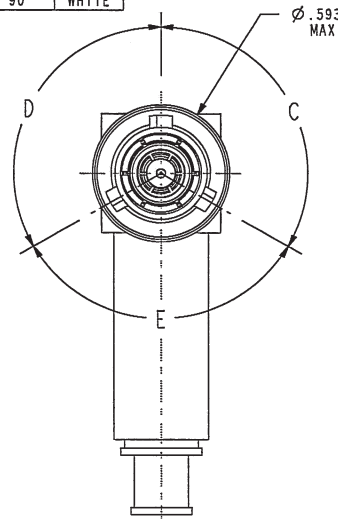
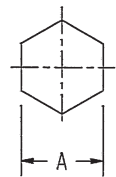


| TABLE 1     |                          |       |         |              |
|-------------|--------------------------|-------|---------|--------------|
| DASH NUMBER | CABLES ACCOMMODATED      | A HEX | B DIM   | ASSEMBLE PER |
| -201        | M17176-00002             | .344  | 1.76    | TAI-169      |
| -202        | TWC-78-1                 |       |         |              |
| -203        | TWC-124-1A               |       |         |              |
| -204        | 10602, RAYCHEM           |       |         |              |
| -205        | TWAC-78-1F2              |       |         |              |
| -206        | 7826D0130, RAYCHEM       |       |         |              |
| -207        | 83310 BELDEN             |       |         |              |
| -208        | 202-3927, MICRODOT       |       |         |              |
| -209        | 202-3942, MICRODOT       |       |         |              |
| -210        | 8451 BELDEN              |       |         |              |
| -211        | 202-3934 MICRODOT        | 1.47  | TAI-161 | TAI-161      |
| -212        | 2524E0114, RAYCHEM       |       |         |              |
| -213        | TWC-78-2                 |       |         |              |
| -214        | TWC-124-2                |       |         |              |
| -215        | BL-982 TIMES             |       |         |              |
| -216        | BL-1242 TIMES            |       |         |              |
| -217        | GC875TM24H, GRUMMAN      |       |         |              |
| -218        | EPD22I888, RAYCHEM       |       |         |              |
| -219        | 2526D1114, RAYCHEM       |       |         |              |
| -220        | GC875RR1, GRUMMAN        |       |         |              |
| -221        | 10614, RAYCHEM           |       |         |              |
| -222        | 10613, RAYCHEM           |       |         |              |
| -223        | HMS2-1149, HUGHES        |       |         |              |
| -224        | TWCP-124-3               |       |         |              |
| -225        | PS665PL, PRIME STOCK     |       |         |              |
| -301        | GC875GC1, GRUMMAN        |       |         |              |
| -302        | GC875GB1, GRUMMAN        |       |         |              |
| -303        | 7528A5314, RAYCHEM       |       |         |              |
| -304        |                          |       |         |              |
| -305        | M17177-00001 THERMATICS  | 1.47  | TAI-178 | TAI-178      |
| -306        | TRC-50-2<br>M17134-00002 |       |         |              |
| -307        | TRC-75-1                 |       |         |              |
| -308        | TRC-75-2                 |       |         |              |
| -309        | TRC-50-1                 |       |         |              |

| TABLE 2            |           |           |           |            |
|--------------------|-----------|-----------|-----------|------------|
| POLARIZATION CHART |           |           |           |            |
| KEYING LETTER      | C DEGREES | D DEGREES | E DEGREES | COLOR BAND |
| NONE               | 120°      | 120°      | 120°      | NONE       |
| T                  | 100°      | 150°      | 110°      | RED        |
| U                  | 120°      | 130°      | 110°      | ORANGE     |
| V                  | 115°      | 130°      | 115°      | YELLOW     |
| W                  | 125°      | 110°      | 125°      | GREEN      |
| X                  | 130°      | 100°      | 130°      | BLUE       |
| Y                  | 110°      | 140°      | 110°      | VIOLET     |
| Z                  | 100°      | 160°      | 100°      | GRAY       |
| S                  | 135°      | 135°      | 90°       | WHITE      |

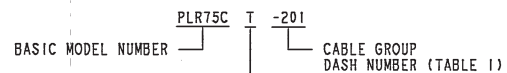


SCALE 2/1



RECOMMENDED HEX CRIMP

4. EXAMPLE OF COMPLETE MODEL NUMBER:



POLARIZATION LETTER NONE REQUIRED FOR STANDARD POLARIZATION (SEE TABLE 2)

-201 SHOWN

3. SHRINKABLE STRAIN RELIEF AND/OR SHRINKABLE SEALING SLEEVE SUPPLIED LOOSE AS FOLLOWS:

a. CABLE GROUPS -201 THROUGH -210, -217 THROUGH -303, -305, -307 AND -309

- 1 SHRINKABLE STRAIN RELIEF (1.00 LONG)
- 1 SHRINKABLE SEALING SLEEVE (1.25 LONG)

b. CABLE GROUPS -211 THROUGH -216, -306 AND -308

- 1 SHRINKABLE STRAIN RELIEF (1.75 LONG)

2. 3-LUG BAYONET CONCENTRIC TWINAX/TRIAX TRB RIGHT ANGLE FULL CRIMP CABLE PLUG

- 1. TFS-1A (NICKEL)

NOTES: UNLESS OTHERWISE SPECIFIED.

RED INDICATES ORIGINAL

DATA CONTAINED IN THIS DOCUMENT IS PROPRIETARY OF TROMPETER ELECTRONICS INC. AND SHALL NOT BE DISCLOSED, COPIED OR USED FOR PROCUREMENT OR MANUFACTURE WITHOUT EXPRESS WRITTEN PERMISSION.

REVISIONS

| REV | DESCRIPTION           | DATE | APPROVED |
|-----|-----------------------|------|----------|
| W   | REVISED PER ECO 16072 |      |          |

|  |                            |   |              |                        |                                      |
|--|----------------------------|---|--------------|------------------------|--------------------------------------|
| INTERPRET DRAWING PER MIL-STD-100. DIMENSIONS ARE IN INCHES AND INCLUDE FINISH THICKNESS UNLESS OTHERWISE SPECIFIED. |                            | TOL: UNLESS SPECIFIED<br>.XX ± .02<br>.XXX ± .010<br>ANGLE ± 1° |              |                        |                                      |
| DRW L.M. 2-9-06<br>QUALITY<br>HANDP<br>APPROVED  | MATERIAL<br>FINISH         | TITLE:<br>PLR75C<br>/T/U/V/W/X/Y/Z/S                            |              | SIZE<br><b>B</b> 14949 | CAGE CODE<br>DRAWING NO.<br>310-0066 |
| NEXT ASSY  | PROVE FILE NO.<br>310-0066 | DO NOT SCALE DWG  | SCALE<br>2/1 | DATE<br>7-28-87        | SHEET<br>1C                          |