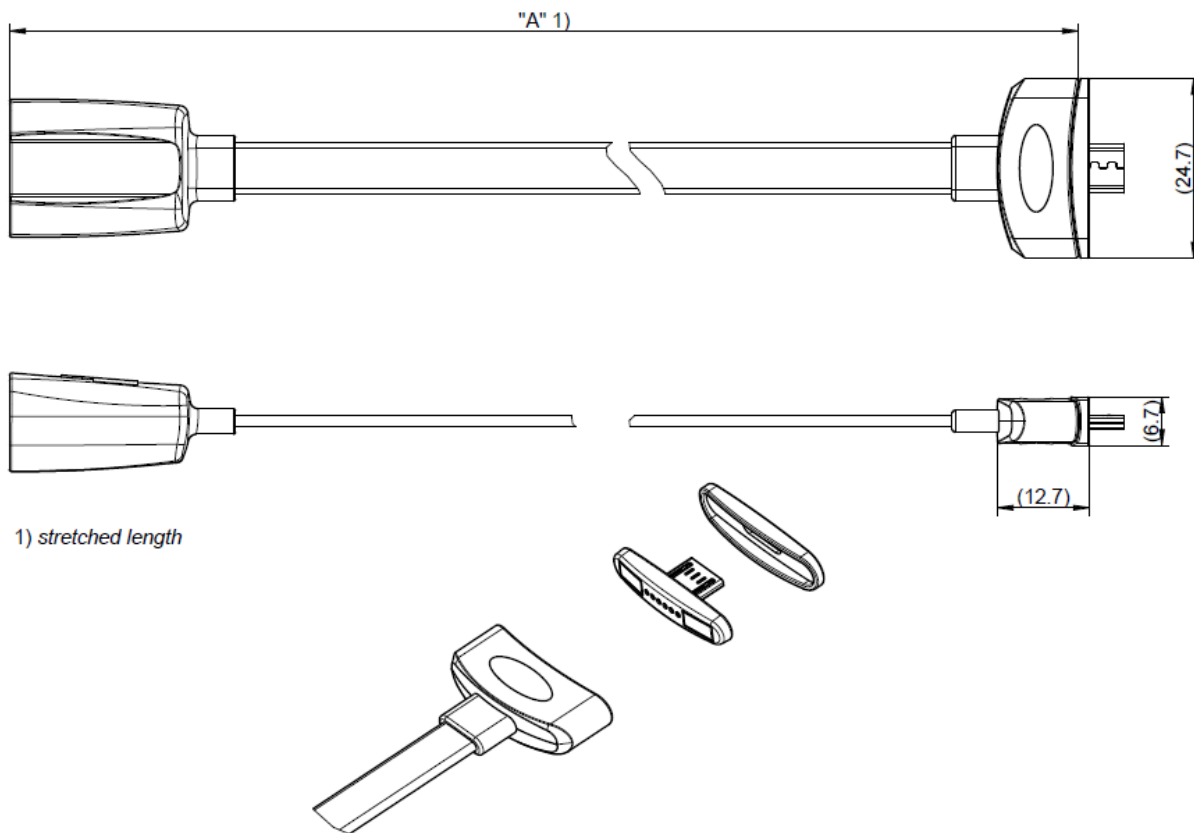


L99 USB 2.0 A FEMALE TO USB 2.0 MICRO-B ADAPTER

L99-M0015-XXX-Y



All dimensions are in mm; tolerances according to ISO 2768 c

Interface

According to MU1S199-K01L-Y

Available length

Description	Length "A" in [mm] ¹
L99-M0015-XXX-Y	XXX ± 1%

¹ length < 300 ± 3 mm

Available colour

Description	Colour "Y" in
L99-M0015-XXX-Y	A- white
	B- black

Technical data cable interfaces

USB 2.0 480Mbit/s
 spring loaded contacts, gold plated
 1.0 meter length
 USB 2.0 A-plug female version

RF_35/06.07/5.0

L99 USB 2.0 A FEMALE TO USB 2.0 MICRO-B ADAPTER

L99-M0015-XXX-Y

USB On- The- Go (OTG) specified
Magnetic interface for magnetic adapter

Technical data magnetic adapter

USB 2.0 480Mbit/s
gold contacts
Magnetic interface for cable interface
USB Micro B 2.0 Plug

Electrical data

USB Standard 2.0
OTG compatible

Mechanical data

Mating cycles USB acc. to USB 2.0 specification
Mating cycles Adapter min. 10000
Disengagement force (USB interface) min. 11 N
max. 16 N
Disengagement force (magnetic interface) min. 6 N
max. 11 N

Environmental data

Temperature range -25°C to +50°C
RoHS compliant

Packing

Standard plastic bag
Weight XX g/piece

Safety instruction

Caution

Magnets can impact the function of pace makers and implantable cardioverter-defibrillators (e.g. actuation of reed switch). Keep a minimum distance of 0.5 m (50 cm) from magnetic components in order to prevent malfunction and danger to health.

While the information has been carefully compiled to the best of our knowledge, nothing is intended as representation or warranty on our part and no statement herein shall be construed as recommendation to infringe existing patents. In the effort to improve our products, we reserve the right to make changes judged to be necessary.

Draft	Date	Approved	Date	Rev.	Engineering change number	Name	Date
M. Portenkirchner	27.01.17	M. Portenkirchner	06.12.17	200	17-2050	A.Schuster	06.12.17
Rosenberger Hochfrequenztechnik GmbH & Co. KG P.O.Box 1260 D-84526 Tittmoning Germany www.rosenberger.de					Tel.: +49 8684 18-0 Fax: +49 8684 18-499 email: info@rosenberger.de		Page 2 / 2