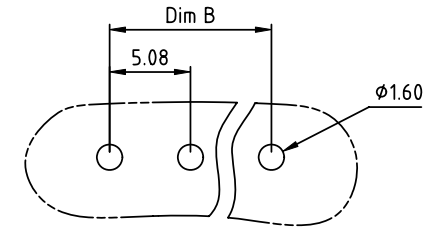
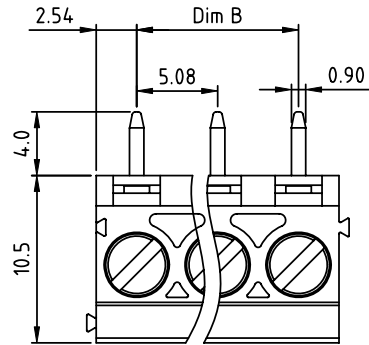


PRODUCT NUMBER	PITCH
VJxx21x000J0G	5.08mm

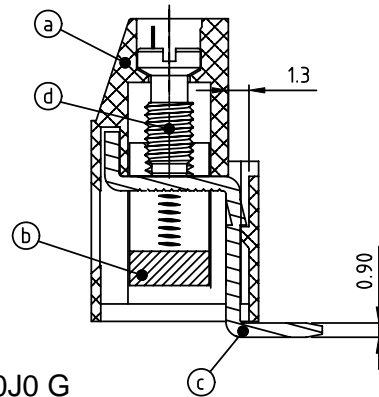
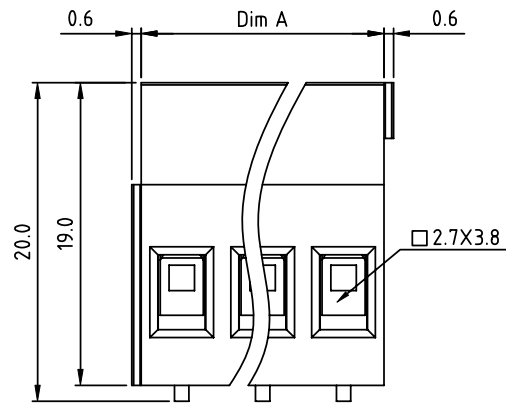


RECOMMENDED P.C.B LAYOUT
TOP VIEW

Material:

- Item(a) Terminal housing: Thermoplastic (UL 94V-0)
- Item(b) Clamp: Brass Ni plated
- Item(c) Solder pin: Brass Tin plated
- Item(d) Terminal screw: Steel Zinc plating"- "slot type

- | | | |
|--------------------------|-----------------|------------------------|
| Electrical | cULus | VDE |
| ● Voltage rating: | 300VAC | 450V |
| ● Current rating: | 20A | 24A |
| ● Wire range : | | 0.2-2.5mm ² |
| ● Solid wire(AWG): | 12-30 | |
| ● Stranded wire(AWG): | 12-30 | |
| ● Torque: | 3.5Lb-in | 0.5 N.m |
| ● Screw: | M3 | |
| ● Wire strip length: | 6-7mm | |
| ● Withstanding Voltage: | 1.6KV | 2.5KV |
| ● Operating temperature: | -40°C to +115°C | |
| ● Soldering temperature: | 260°C±5°C/5 Sec | |
| ● Safety Approval: | | |



PART NO.: VJ xx 2 1 x 0 00J0 G

Dimension A&B

DIM A	Nx5.08
DIM B	(N-1)x5.08

N=Number of poles

Poles	Dim A&B Tolerance
2P-6P	±0.15
7P-12P	±0.25
13P-18P	±0.35
19P-24P	±0.40

- | | | |
|---------------|---------------------|-----------------|
| End stackable | Color | RoHS compliant |
| No. of poles | | (lead<4%) |
| 02 2 poles | 0 Black (RAL9005) | In copper Alloy |
| 03 3 poles | 2 Red (RAL3001/D) | |
| ... | 3 Orange(RAL2011/P) | |
| ... | 4 Yellow(RAL1018/A) | |
| 24 24 poles | 5 Green(RAL6018/T) | |
| | 6 Blue (RAL5015/A) | |
| | 8 Grey(RAL7035/D) | |
| | 9 White(RAL1102) | |
| | C Green(RAL6018/U) | |

mat'l. code		surface ASME Y14.5	tolerance ASME Y14.5	projection	product family	
ltr	ecn no	dr	date		TERMINAL BLOCK	
tolerances unless otherwise specified				MM	title	
angles	±	X.±0.5		scale	TERMINAL BLOCK	
±	±	X.X±0.3			RISING CLAMP,90D WIRE INLET,END STACKABLE	
X*±1*		X.XX±0.1			dwg no	
dr	EVIN ZHONG	040914			sheet 1 of 1 size	
enr	EVIN ZHONG	040914			VJxx21x000J0G	A4
chr	HANKE FENG	040914			type	CUSTOMER Drawing
appd	SHI JUN	040914				
sheet index	revision sheet	A	1			