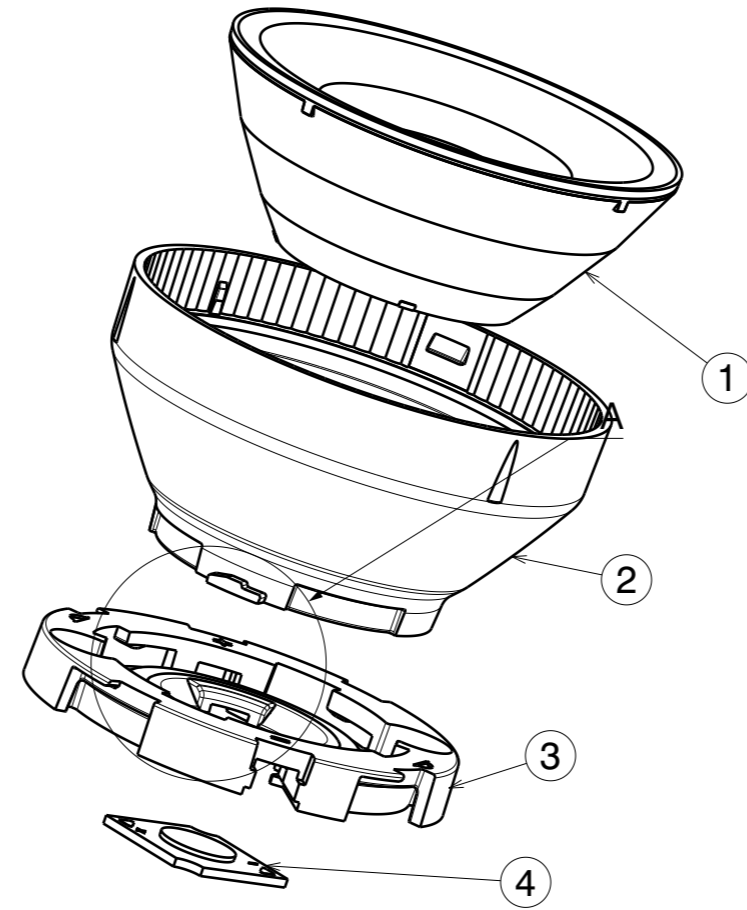
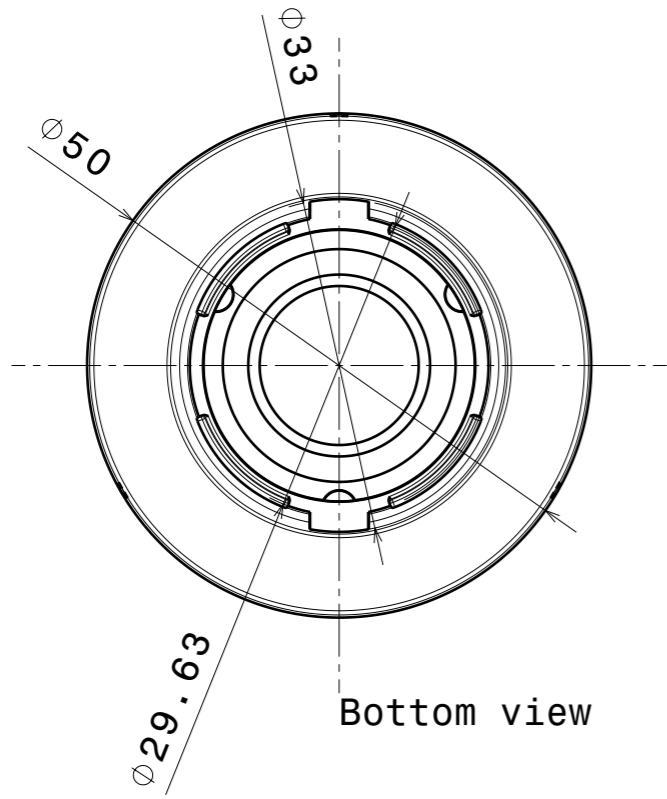
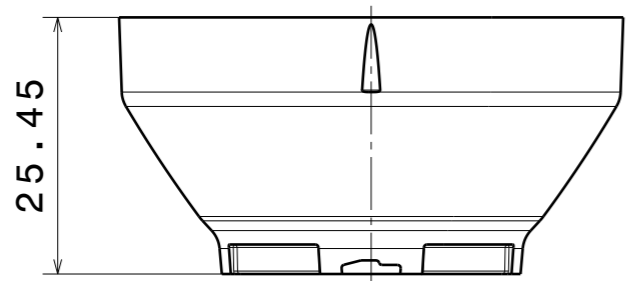
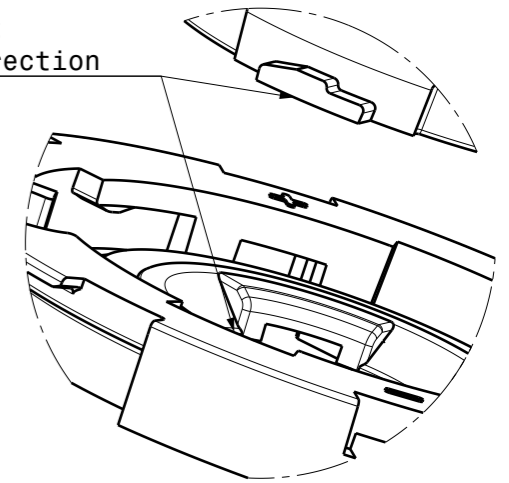


H G F E D C B A

Example assembly:



Notice right assembly direction



| INDEX | PART NO |
|-------|---------------------|
| 1 | CARMEN-50-Lens |
| 2 | CARMEN-50-HLD-C-WHT |
| 3 | HEKLA-Socket |
| 4 | LED |

Tolerances if not otherwise shown
 According to DIN ISO 2768-1
 Linear measures:
 Up to 30mm class M, otherwise class C.
 According to DIN ISO 2768-2
 Form and position: class L

LEDiL LediL Oy
 Salorankatu 10
 FIN 24240 SALO
 Finland

THIRD ANGLE PROJECTION:

DRAWING TITLE
CARMEN-50-C-WHT

This drawing is the property of LEDiL Oy. It may not be reproduced, copied or communicated without a written agreement with LEDiL Oy.

SIZE PART NUMBER
A3 CARMEN-50-C-WHT

WEIGHT SHEET 1/1

H G B A