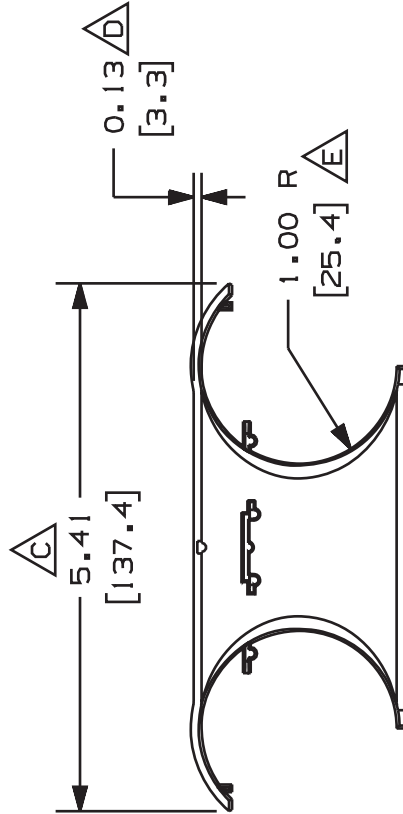
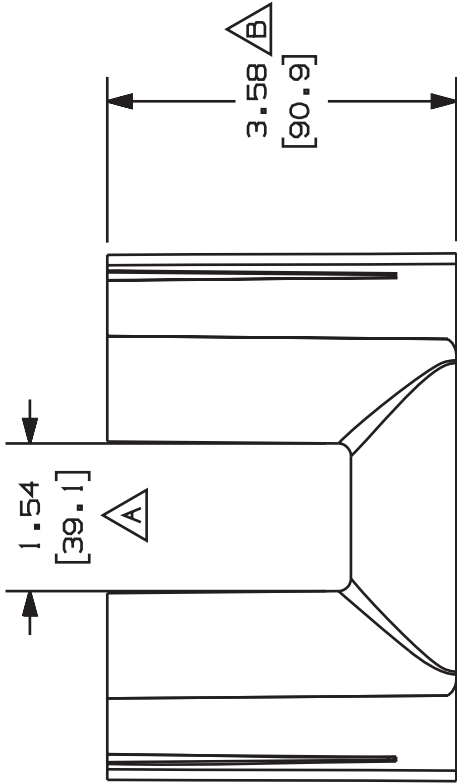


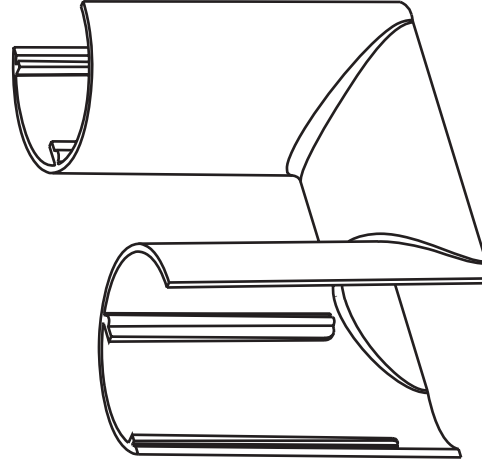
THIS COPY IS PROVIDED ON A RESTRICTED BASIS AND IS NOT TO BE USED IN ANY WAY DETRIMENTAL TO THE INTERESTS OF PANDUIT CORP.



PANDUIT P/N	WEIGHT
TRC4BL	0.139 LB/1 PC (639g/1 PC)

NOTES:

1. SEE CURRENT CATALOG FOR ADDITIONAL PART SUFFIXES TO INDICATE COLOR AND OR PACKAGE QUANTITY.
2. DIMENSIONS IN PARENTHESIS ARE IN METRIC.
3. FITTING PROVIDES FULL 1" BEND RADIUS CONTROL FOR FIBEROPTIC CABLES.
4. FITTING CAN BE USED WITH 4x4 E, S, FS, AND G WIRING DUCT.



CAD FILE NAME/LAYERS D37305BB_DC_4X4T_01A.prt

PANDUIT
CORP. TINLEY PARK, ILLINOIS
BEND RADIUS CONTROL FITTING
(TRC4BL)
CUSTOMER DRAWING

UNLESS OTHERWISE SPECIFIED, DIMENSIONAL TOLERANCES ARE:
 (.X) ± .03
 (.XX) ± .01
 (.X) ANGLES ± .5

UNLESS OTHERWISE SPECIFIED, ALL DIMENSIONS ARE GIVEN IN INCHES, THIRD ANGLE PROJECTION.

DRAWN BY MSO
 DATE 1-31-00
 CHECKED BY HIW

MAT'L: PVC

SCALE NONE

DRAWING NO. 37305-02

ORG A
 SIZE

REV	DATE	BY	CHK	DESCRIPTION	ECN	CHK	CUST	SUP
1	10-11-00	JBN			37305-02			
R	1-31-00	MSQJKG		RELEASED TO PRODUCTION	37305-02	HIW	HIW	